

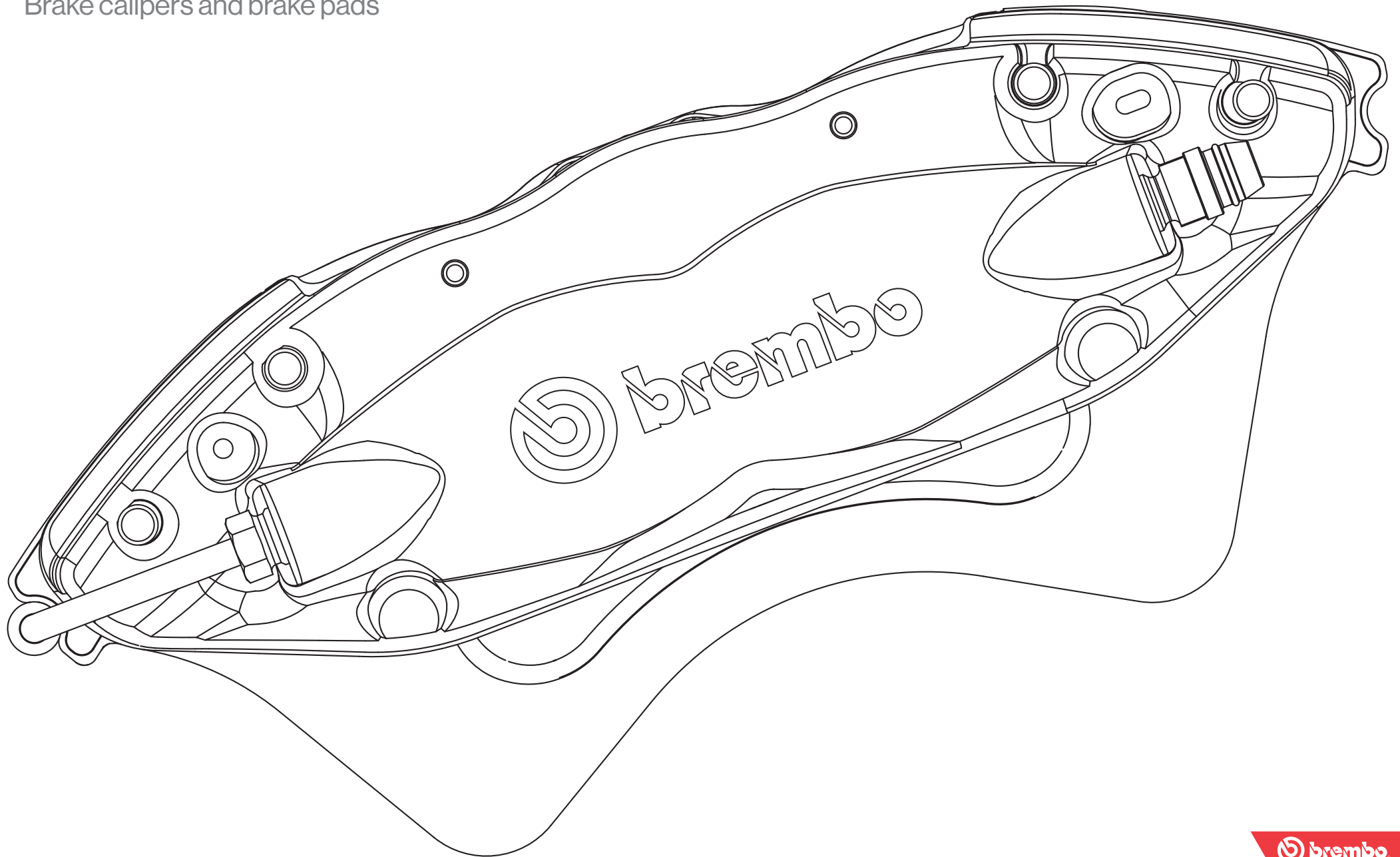
Paint with **Brembo**

Xtra brake pad



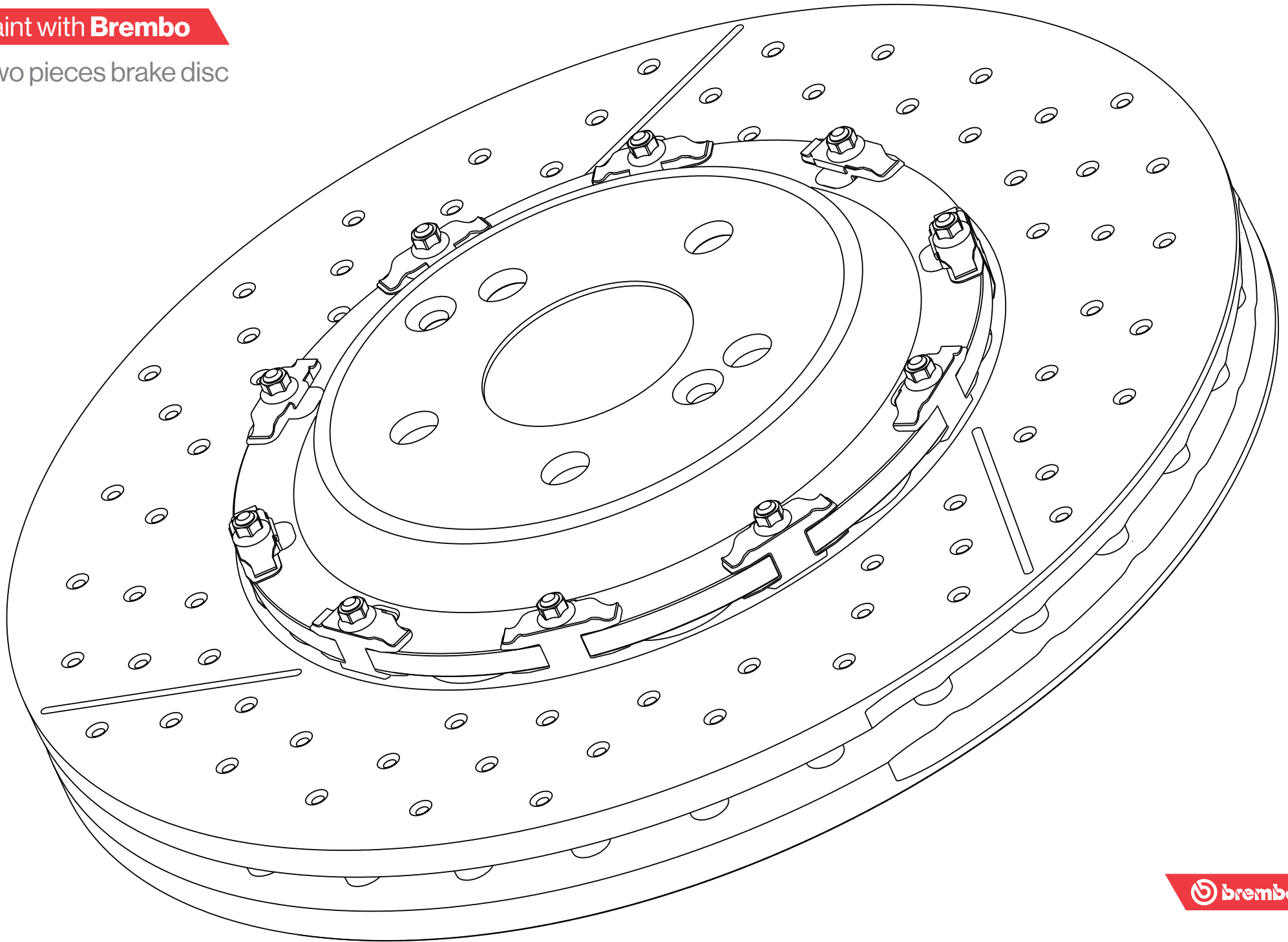
Paint with **Brembo**

Brake calipers and brake pads



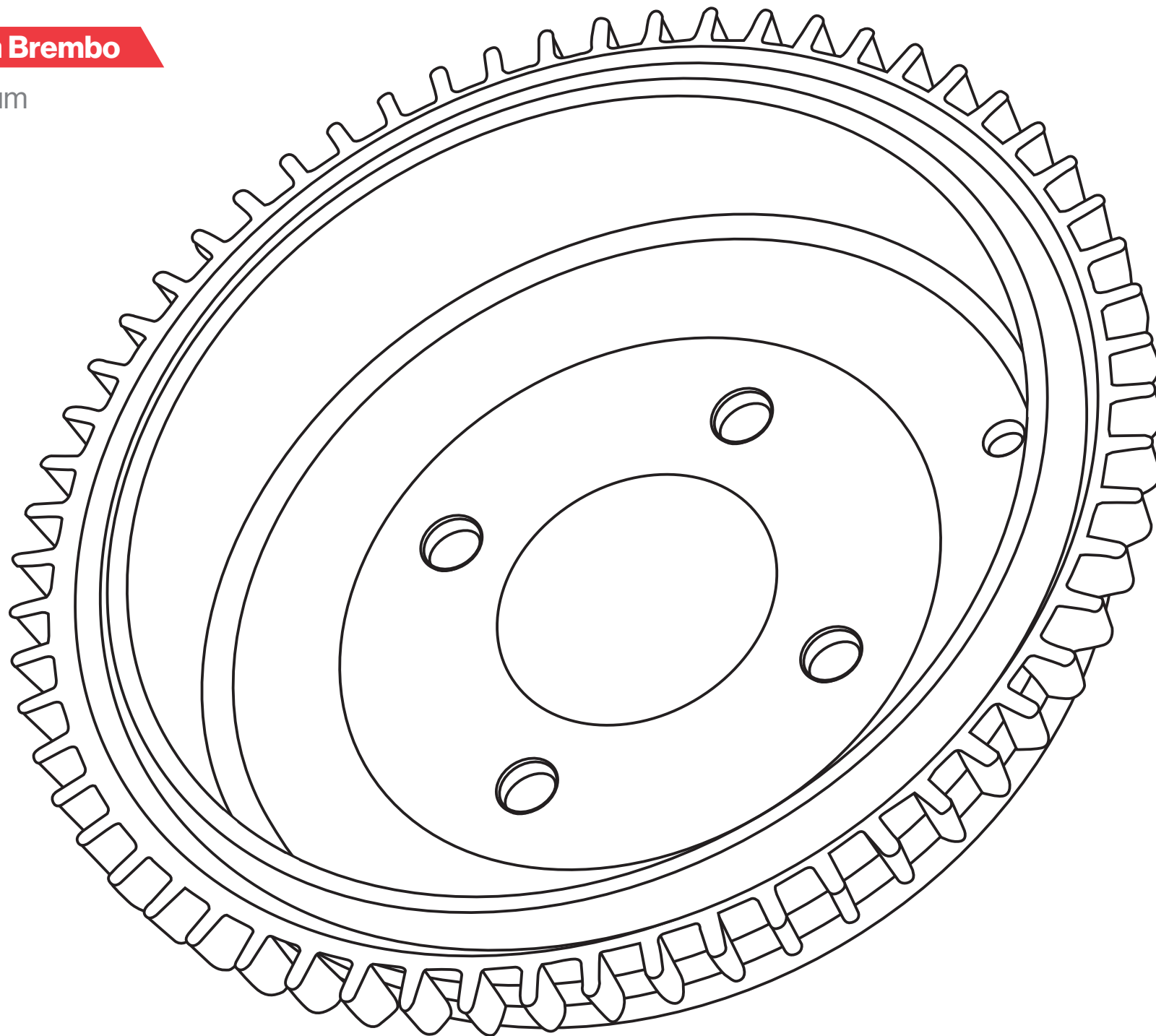
Paint with **Brembo**

Two pieces brake disc



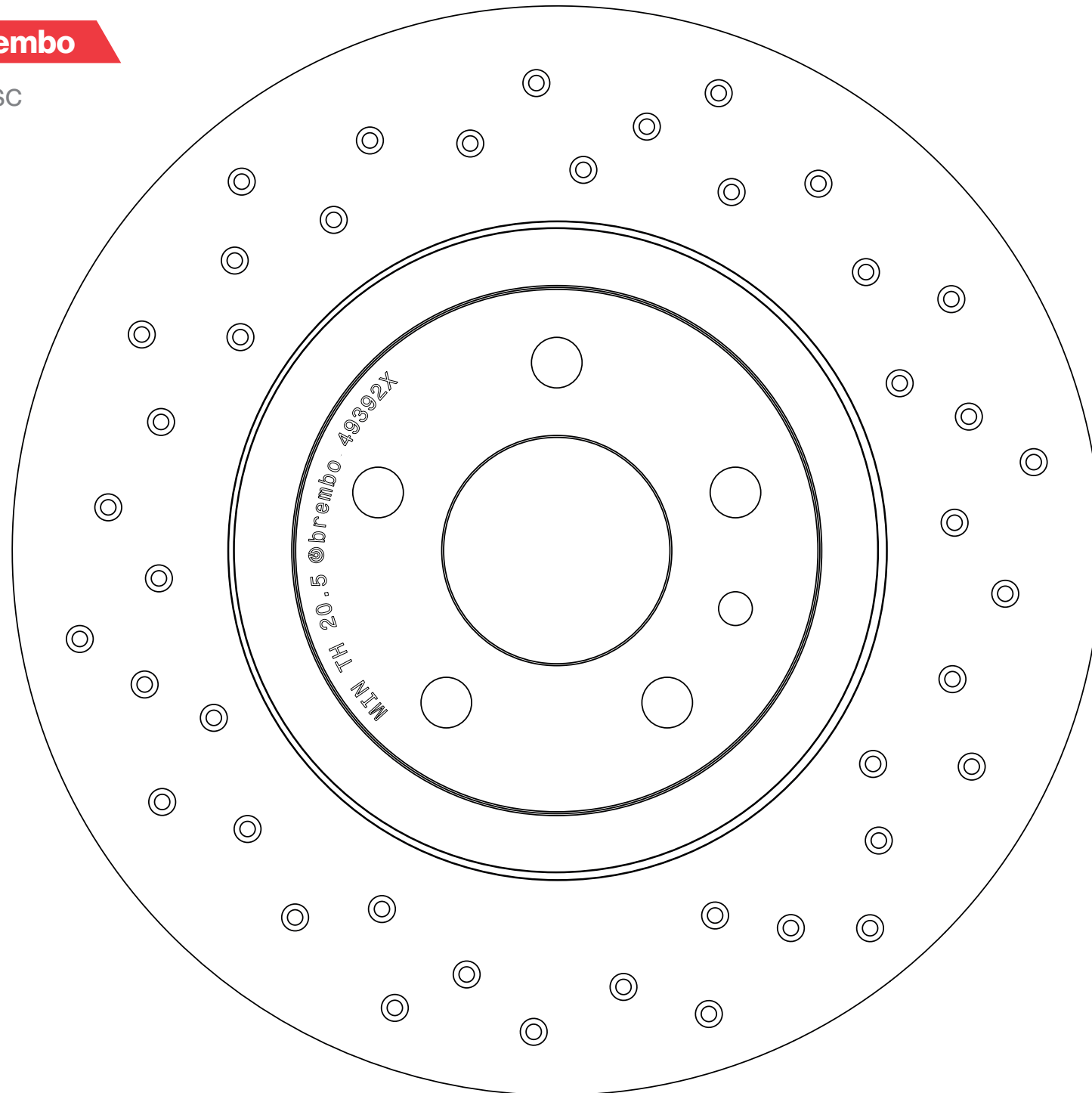
Paint with **Brembo**

Brake drum



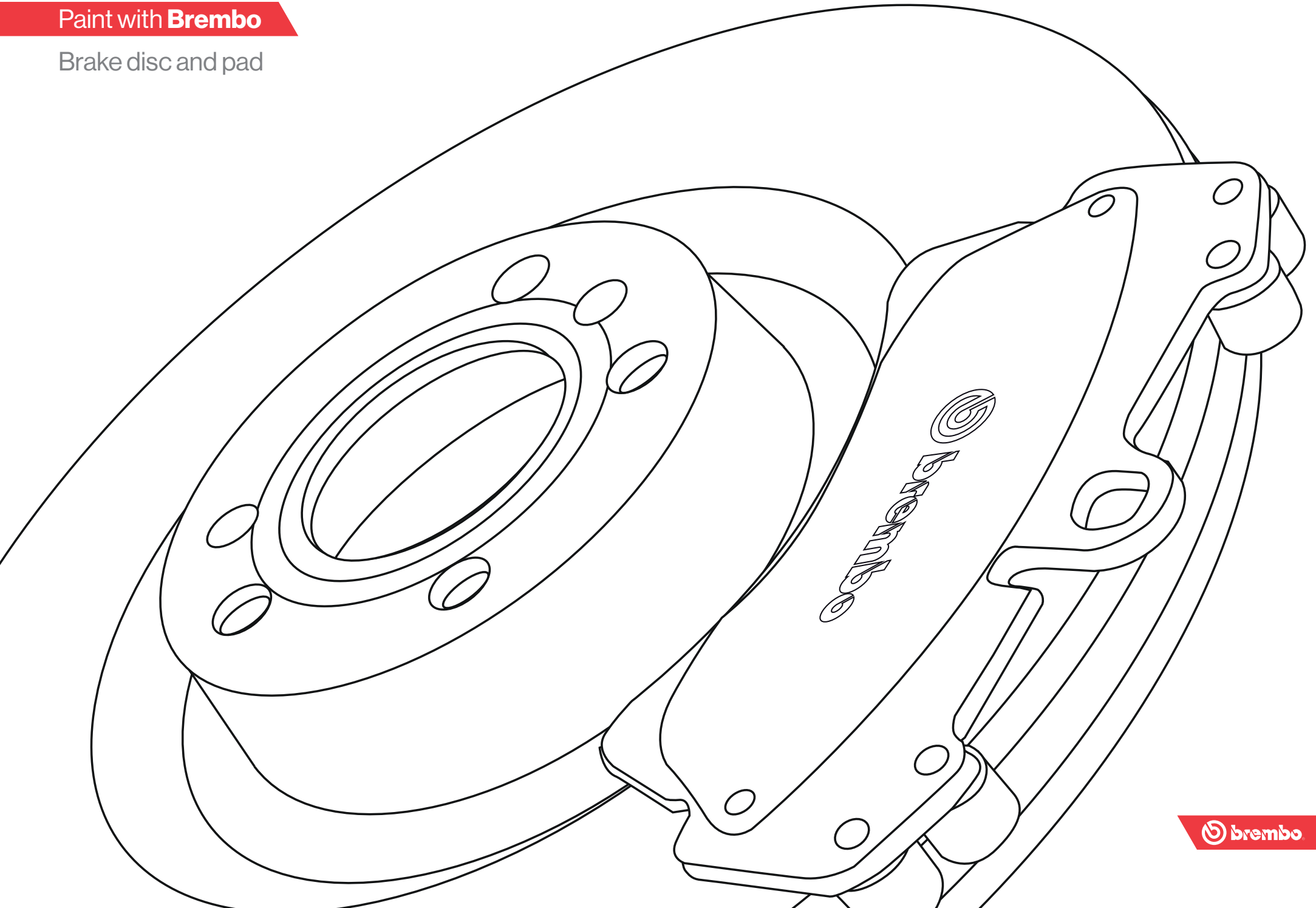
Paint with **Brembo**

Xtra brake disc

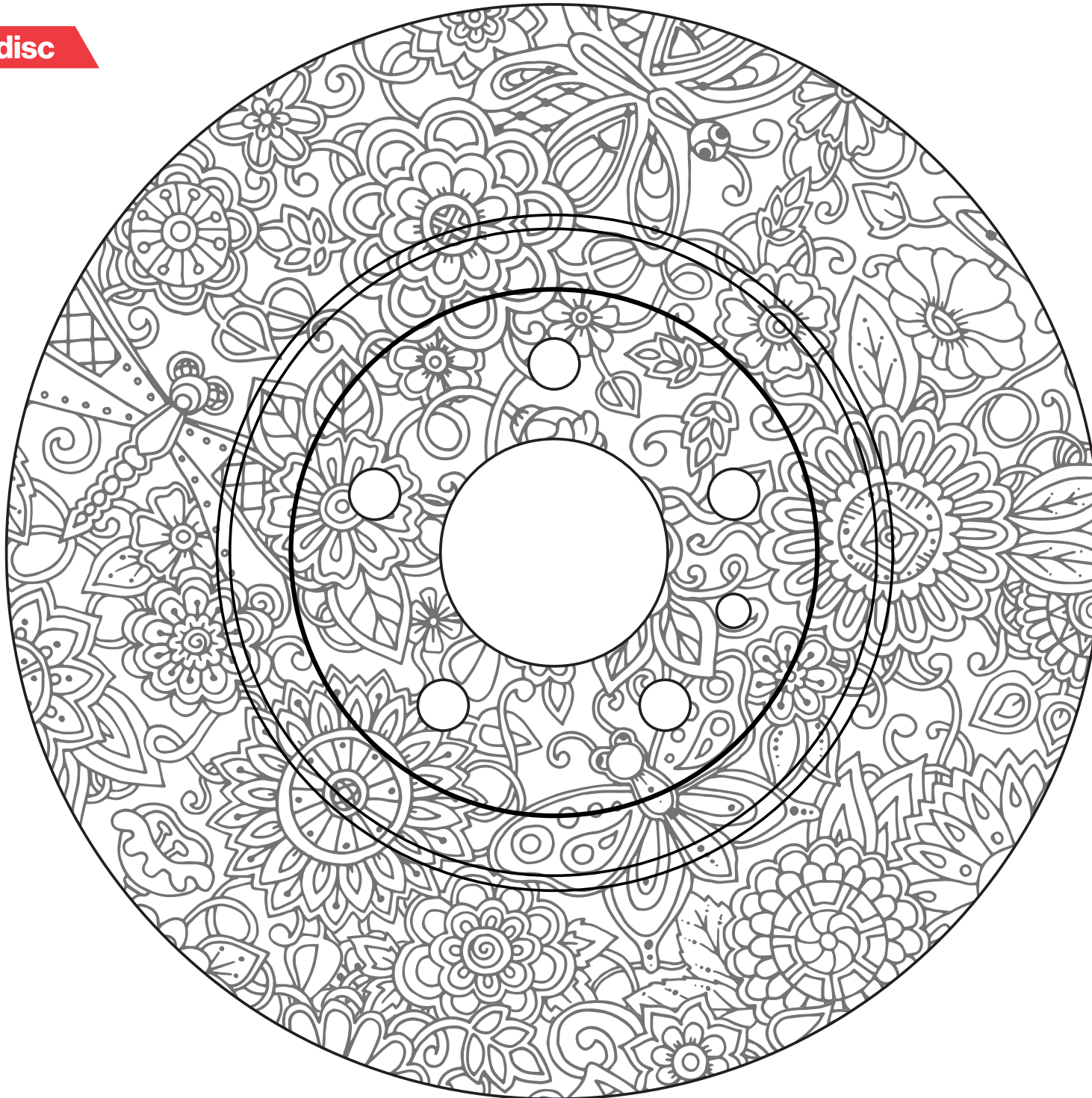


Paint with **Brembo**

Brake disc and pad



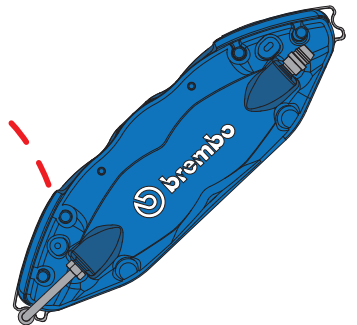
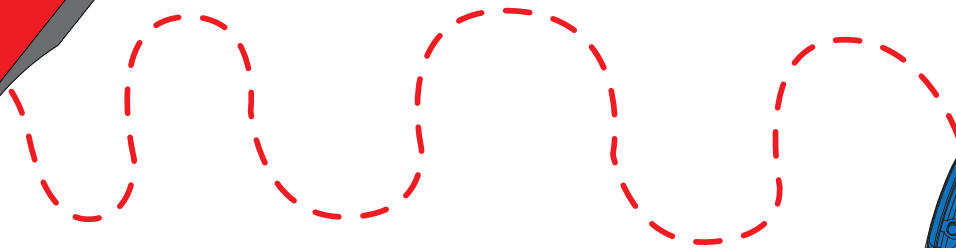
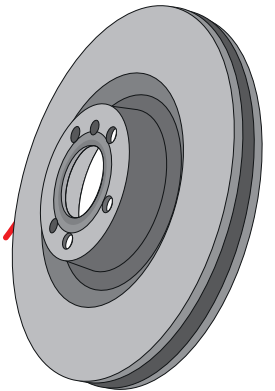
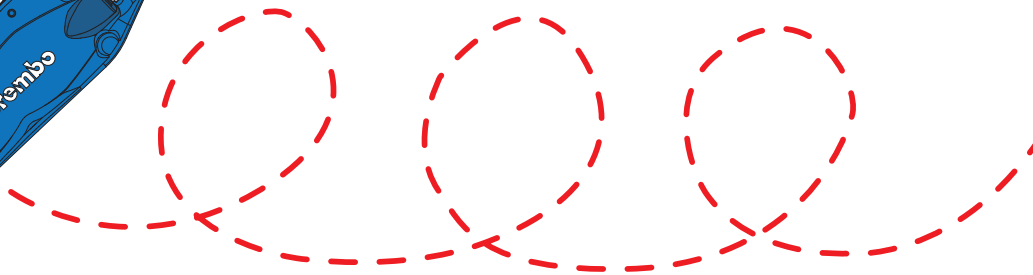
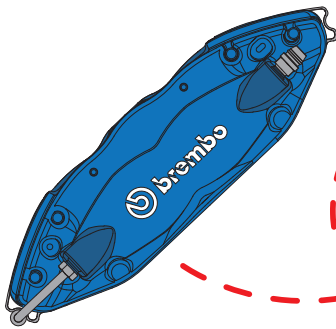
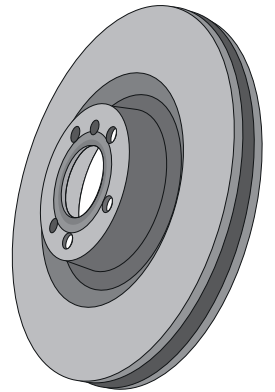
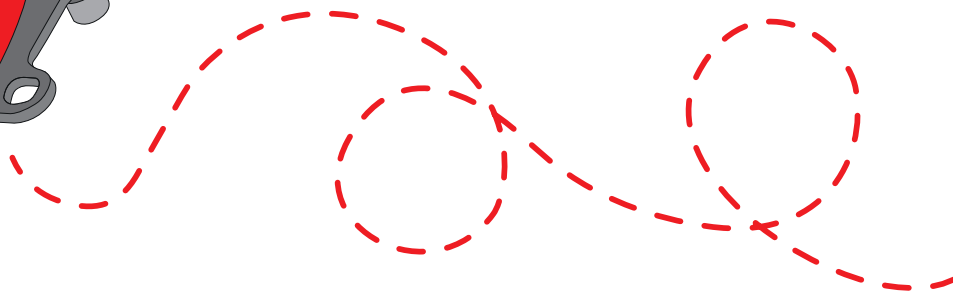
Paint the **brake disc**



Paint the **brake pad**



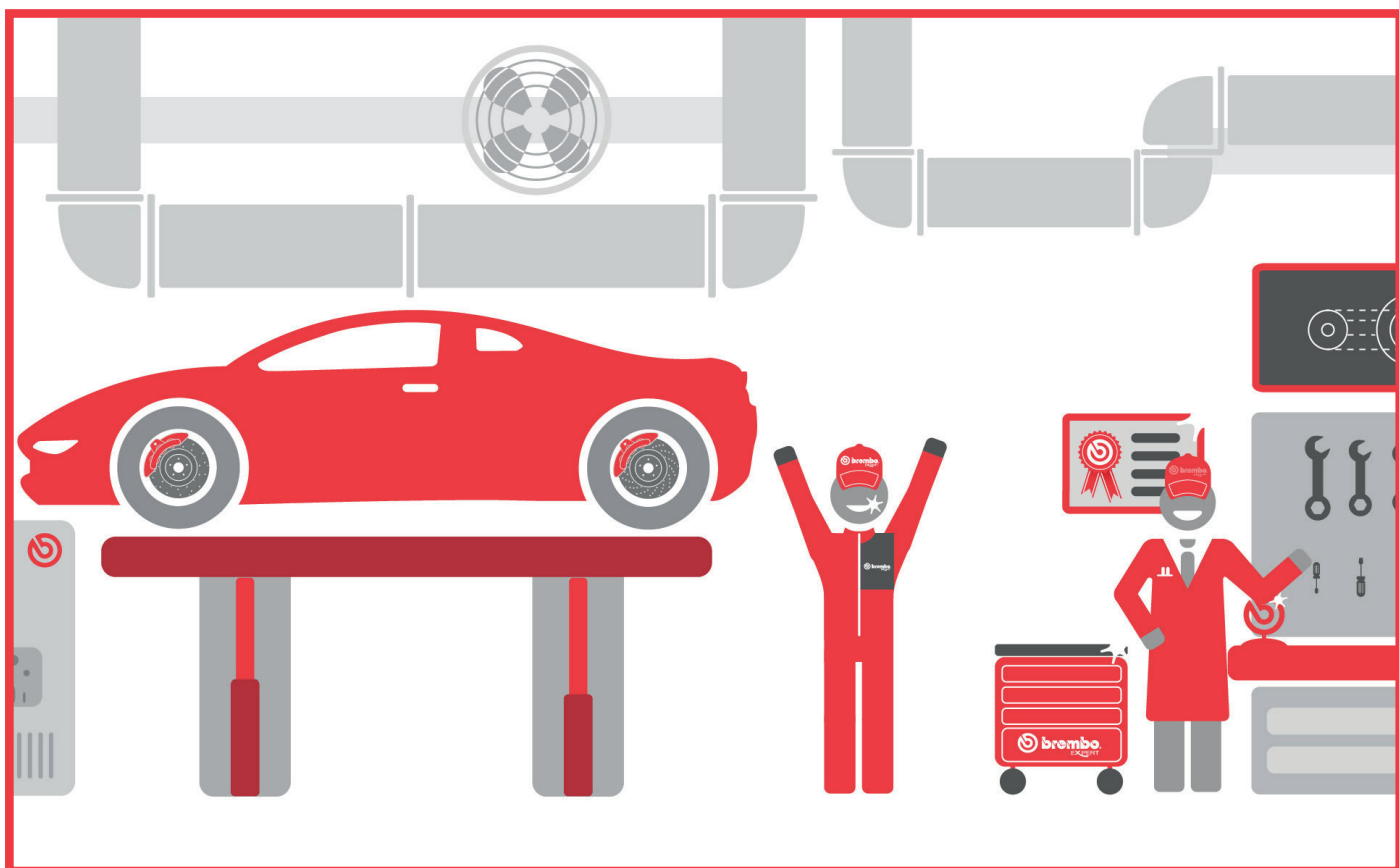
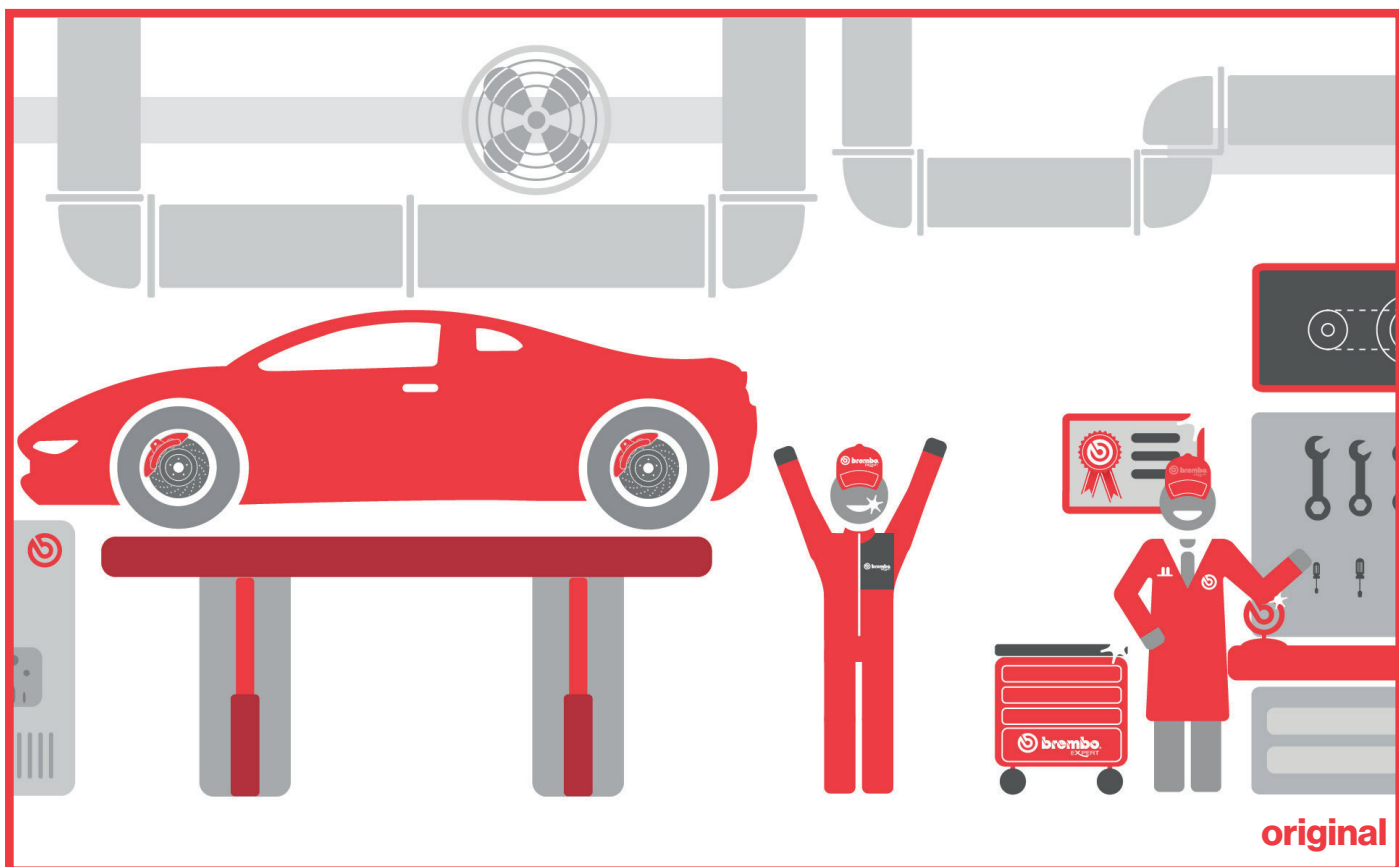
Follow the lines



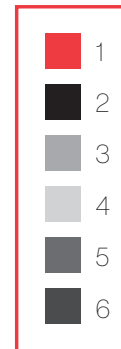
Find the 7 differences



Find the 7 differences



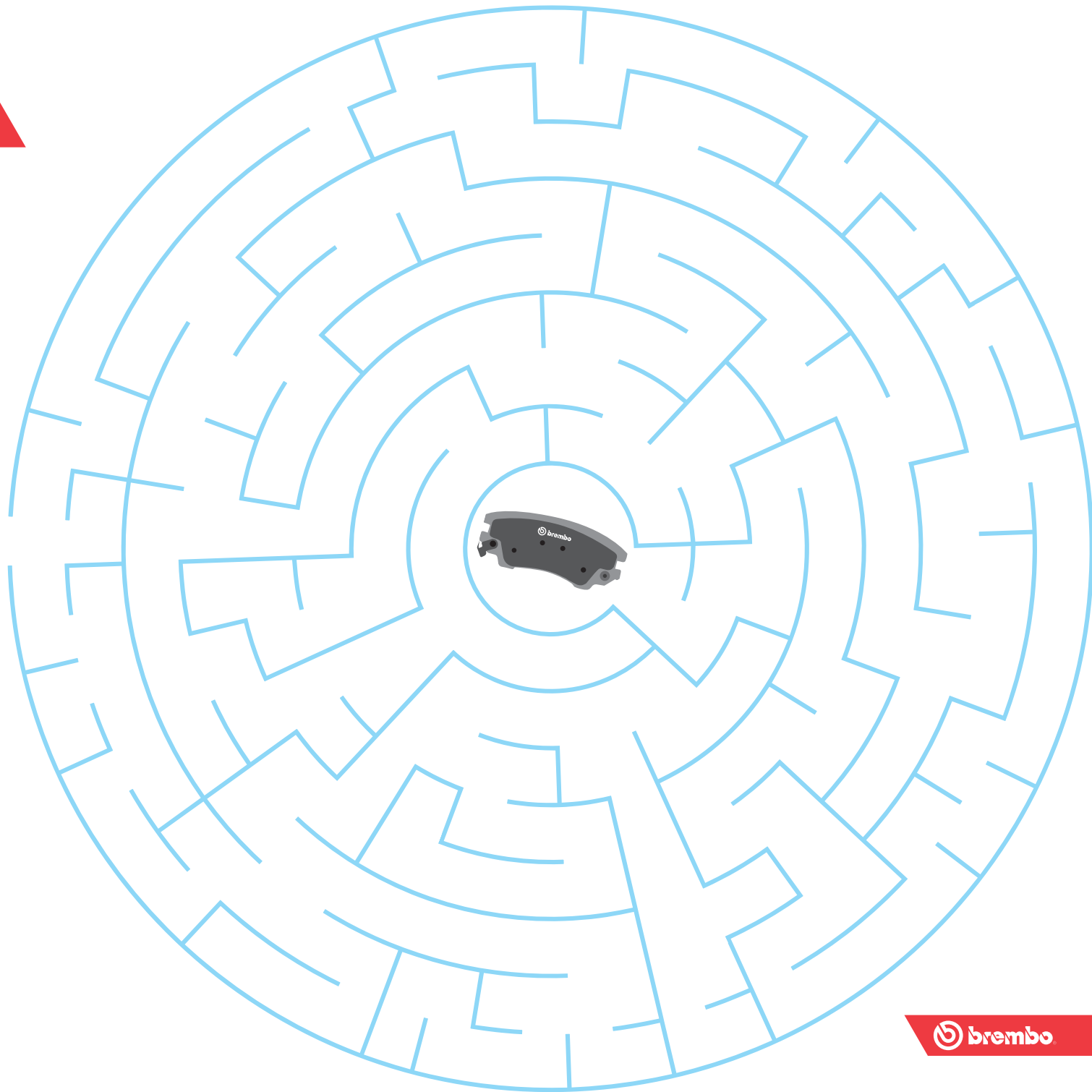
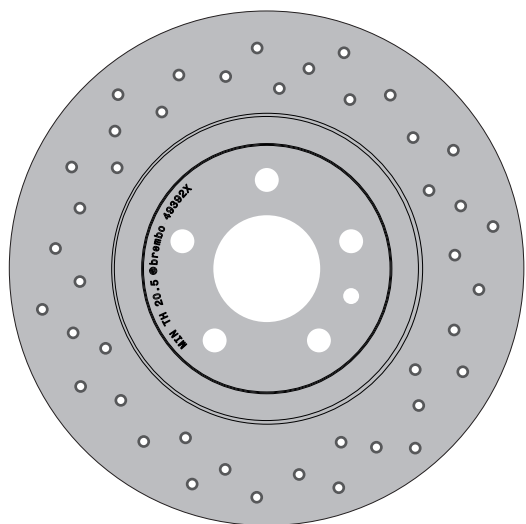
Count and color



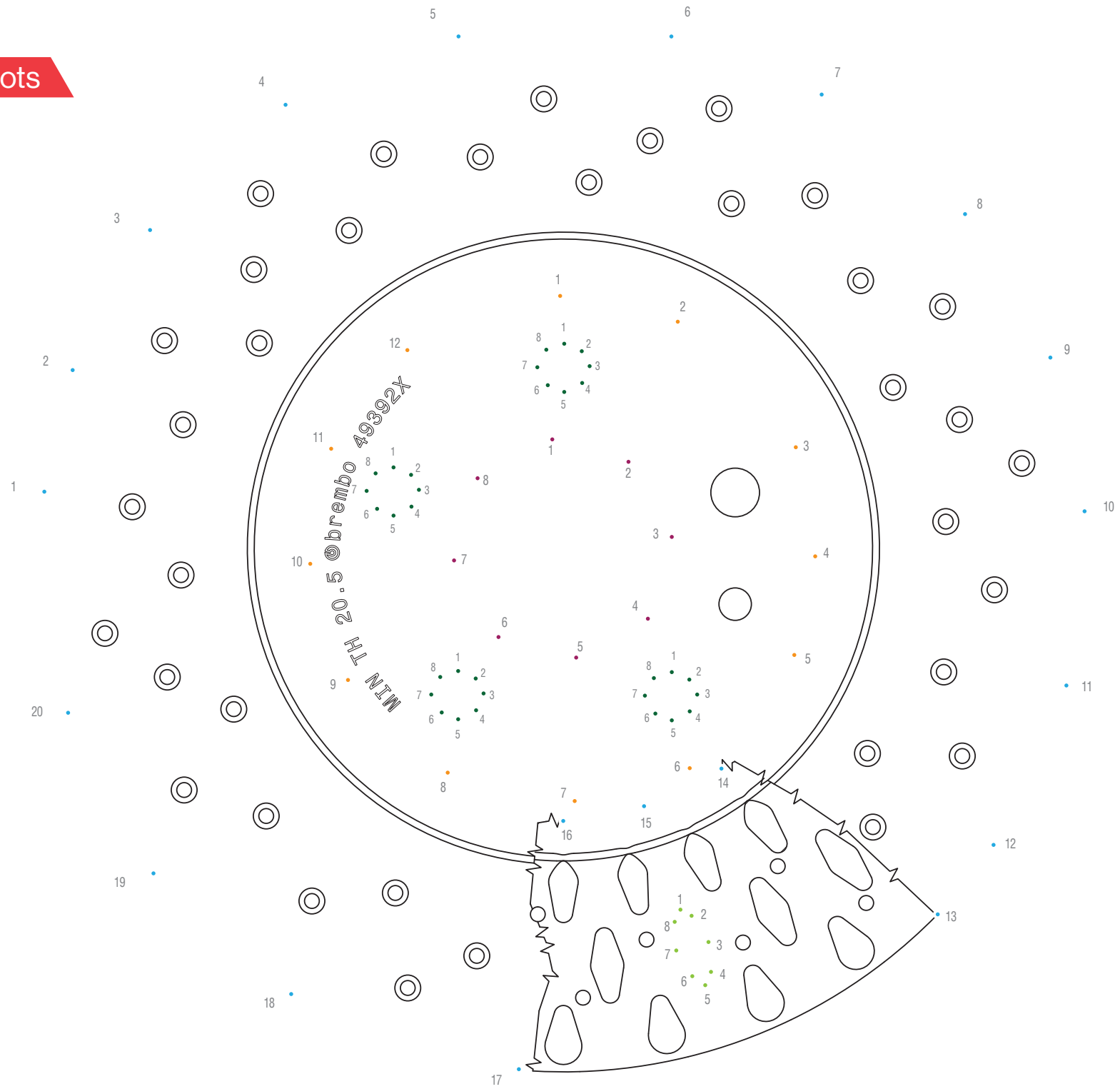
Color the spaces with dots.
What will it be?



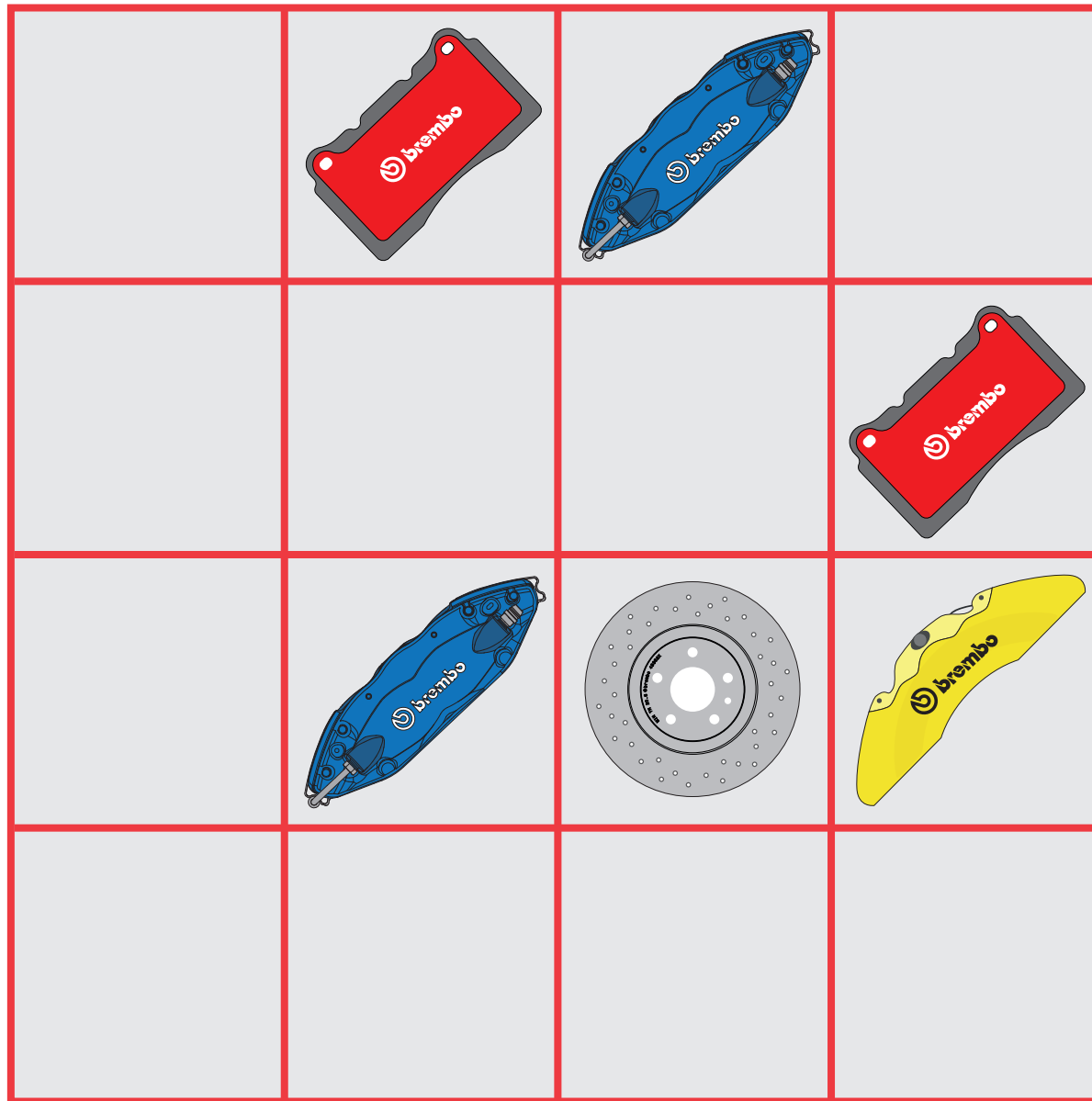
Help the **Xtra brake disc**
to catch the **Xtra brake pad**



Connect the dots



Solve the Sudoku!



Read the alphabet and color the spaces

Red	a
Yellow	b
Dark Red	c
Light Blue	d
Blue	e
Black	f
Grey	g
Light Grey	h
Orange	i

