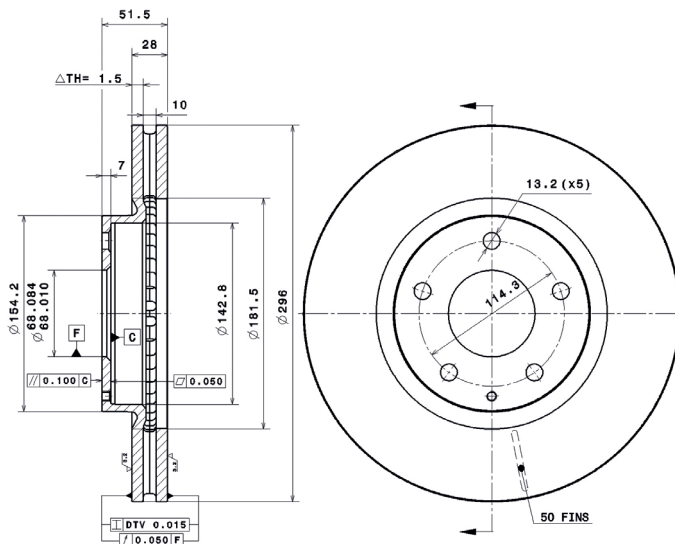


09.C421.11 SUPERSEDED BY 09.C654.11

The reference **09.C421.11** is replaced by **09.C654.11** due to the adaption to new O.E. and range harmonization.

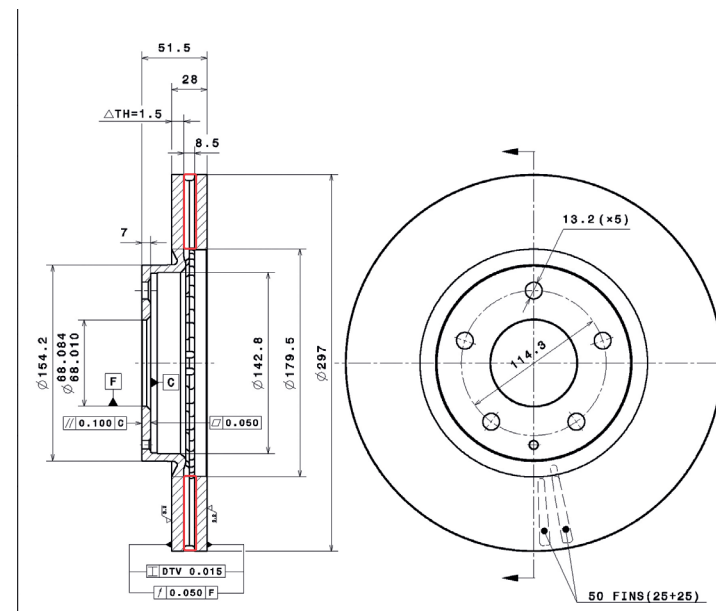
The **OES Mazda** corresponding to the Brembo reference are:
GHP933251, GHP933251A, GHR133251, GHR133251A, K01133251A, K01133251B.

09.C421.11 Front axle



Breco reference:
BV 9171
AP reference:
25561 V

09.C654.11 Front axle



Breco reference:
BV 9359
AP reference:
25748 V