



THE UNITED KINGDOM VEHICLE APPROVAL AUTHORITY

COMMUNICATION CONCERNING THE APPROVAL GRANTED⁽⁴⁾/-APPROVAL EXTENDED⁽¹⁾/
~~APPROVAL REFUSED⁽⁴⁾/ APPROVAL WITHDRAWN⁽⁴⁾/ PRODUCTION DEFINITELY
DISCONTINUED⁽⁴⁾~~ OF A REPLACEMENT BRAKE DISC OR A REPLACEMENT BRAKE DRUM
PURSUANT TO REGULATION NO. 90.02



Approval No: 90R-02C01202/26115

Extension No: 02

Reason for extension: To cover:

- 1) Addition new code: 08.A202.75 – 08.B601.75
- 2) Update of vehicle list for disc: 08.9511.75 – 08.9975.75
- 3) Removal of Assembly Plant to Argentina
- 4) Update of geometric specification
- 5) Update of supplement level

1. Applicant's name and address:

BREMBO S.p.A
via Brembo, 25
24035, Curno (BG)
Italy

2. Manufacturer's name and address:

| | |
|---|--|
| BREMBO S.p.A Divisione Dischi Freno Via G.Maria Scotti, 66 24030 Mapello (BG) Italy | BREMBO POLAND SP. Z O.O. Ul.Rozdzienskiego, 13 Dąbrowa Górnicza, Poland, 41-308 |
| Brembo do Brasil LTDA Av. Fausto Ribeiro Da Silva, 1265 Distrito Industrial De Bandeirinhas 5 32.654-805 Betim-MG Brazil | Brembo North America Inc. 29991 E M60, Homer, MI 49245 |
| Brembo Mexico, SA de CV Platón 100, Parque Industrial Kalos Apodaca, Nuevo León, 66600 Mexico | Brembo (Nanjing) Brake System Co., Ltd.Site 1 No.28 Xijing Road, Jiangning Economic & Technology Zone Nanjing, P.R. China |

3. Make and type of brake disc/drum:

| Type of disc | Related codes |
|-------------------------|---------------|
| BREMBO MAX | AP MAX |
| 08.5709.75 | X 14431 |
| 08.7861.75 | X 15388 |
| 08.8727.75 | X 14820 |
| 08.9511.75 | X 14853 |
| 08.9975.75 XU0.01.N0 | X 14901 |
| 08.9975.76 XU0.01.N1 | X 14915 |
| 08.A202.75 | X 14925 |
| 08.B601.75 | X 15035 |

Interchangeable Disc Front and Rear (POT TYPE, SOLID)
GL B 01

4. Vehicles/axles for which the replacement brake disc or a replacement brake drum is approved:
See manufacturer's documentation
5. Submitted for approval on: As before (From 04 August 2016 to 05 August 2016 and from 02 November 2016 to 19 November 2016 and 15 December 2016 and 20 December 2016 and 05 January 2017 and 04 July 2017, 17 May 2019) and 10/05/2021
6. Technical service responsible for approval tests: VCA Europe S.r.l.
- 6.1. Date of test report: As before (24 July 2017, 04 September 2019) and 14 May 2021
- 6.2. Number of test report: As before (MSR355613, MSU446483) and XSW001269

7. Approval ~~GRANTED/REFUSED/EXTENDED/WITHDRAWN~~⁽¹⁾

8. Place: BRISTOL



9. Date: 16 JUNE 2021

10. Signature:  D LAWLOR
Chief Technical and Statutory Operations Officer

11. Annexed to this communication is a list of documents in the approval file deposited at the administrative services having delivered the approval and which can be obtained upon request.

Any remarks: Approval to Supplement 5

(1) Strike out what does not apply.

| | |
|--|--|
|  |  |
| Application for Approval of a replacement brake Disc According to Reg 90.02 Consolidated to Supplement 5 | |
| Existing approval number (if applicable) | E11 90R-02C01202/26115 |

| | |
|----------------|-----------|
| VCA Job Number | XSW001269 |
|----------------|-----------|

| | |
|---------------------------------------|--|
| Reasons for extension (if applicable) | 1- Addition new code: 08.A202.75 – 08.B601.75 2- Update of vehicle list for disc: 08.9511.75 – 08.9975.75 3- Removal of Assembly Plant to Argentina 4- Update of geometric specification 5- Update of supplement level |
|---------------------------------------|--|

| Attachments | Document reference | No of pages |
|-------------|------------------------------|-------------|
| Annex 1 | Component Drawings | 8 |
| Annex 2 | Control plan | 30 |
| Annex 3 | Production specification | 1 |
| Annex 4 | List of disc and application | 12 |
| Annex 5 | Marking specification | 2 |

Notes

Annex 1 Drawings must contain the following:

- Disc/drum diameter, including friction surface diameters (in the case of a disc brake with an integrated parking brake drum, both diameters have to be checked);
- Disc thickness (original dimensions and the minimum permissible wear indication) – mounting face to external friction surface;
- Mounting flange thickness;
- Pitch circle diameter of fixing holes / studs;
- Number of fixing holes / studs;
- Mounting flange diameter;
- Type of centering (e.g. central spigot or mounting bolts /studs);
- In the case of brake discs with integrated parking brake drums the width of the friction surface area and any heat compensation groove(s);
- Additionally, in the case of ventilated brake discs:
 - The type of ventilation (internal/external);
 - The number of ribs and pillars ;
 - The dimensions of the ventilation duct.

Annex 3 production specification must contain:

- Chemical composition and its permitted range, or where appropriate, maximum value, for each element;
- Microstructure as per paragraph 2.2.;

- o Mechanical properties as per paragraph 2.3. and their permitted range, or where appropriate, minimum value.

| | |
|---------------------------------|---|
| Applicant Name and address | <p>BREMBO S.p.A. Via Brembo, 25 - 24035 Curno (BG) Italy</p> |
| Manufacturer's name and address | <p>BREMBO S.p.A Divisione Dischi Freno Via G.Maria Scotti, 66 – 24030 Mapello (BG) – Italy</p> <p>BREMBO POLAND SP. Z O.O. Ul.Rozdzienskigo, 13 DĄBROWA GÓRNICZA, POLAND, 41-308</p> <p>Brembo do Brasil LTDA Av. Fausto Ribeiro Da Silva, 1265 - Distrito Industrial De Bandeirinhas, 5 32.654-805 Betim- MG Brazil</p> <p>Brembo North America Inc. 29991 E M60, Homer, MI 49245</p> <p>Brembo Mexico, SA de CV Platón 100, Parque Industrial Kalos, Apodaca, Nuevo León, 66600, Mexico</p> <p>Brembo (Nanjing) Brake System Co., Ltd. No.28 Xijing Road, Jiangning Economic & Technology Zone, Nanjing, P.R. China</p> |

| Make of disc/drum | Type of disc/drum | Vehicle application |
|---|-------------------|---------------------|
| INTERCHANGEABLE_CAR_402_GROOVED_Group_6 – Solid Mat 1 No Drum Grooved | | |
| See Annex 4 | See Annex 4 | See Annex 4 |

Geometric Specifications (Attach drawings of all discs/drums as annex 1)

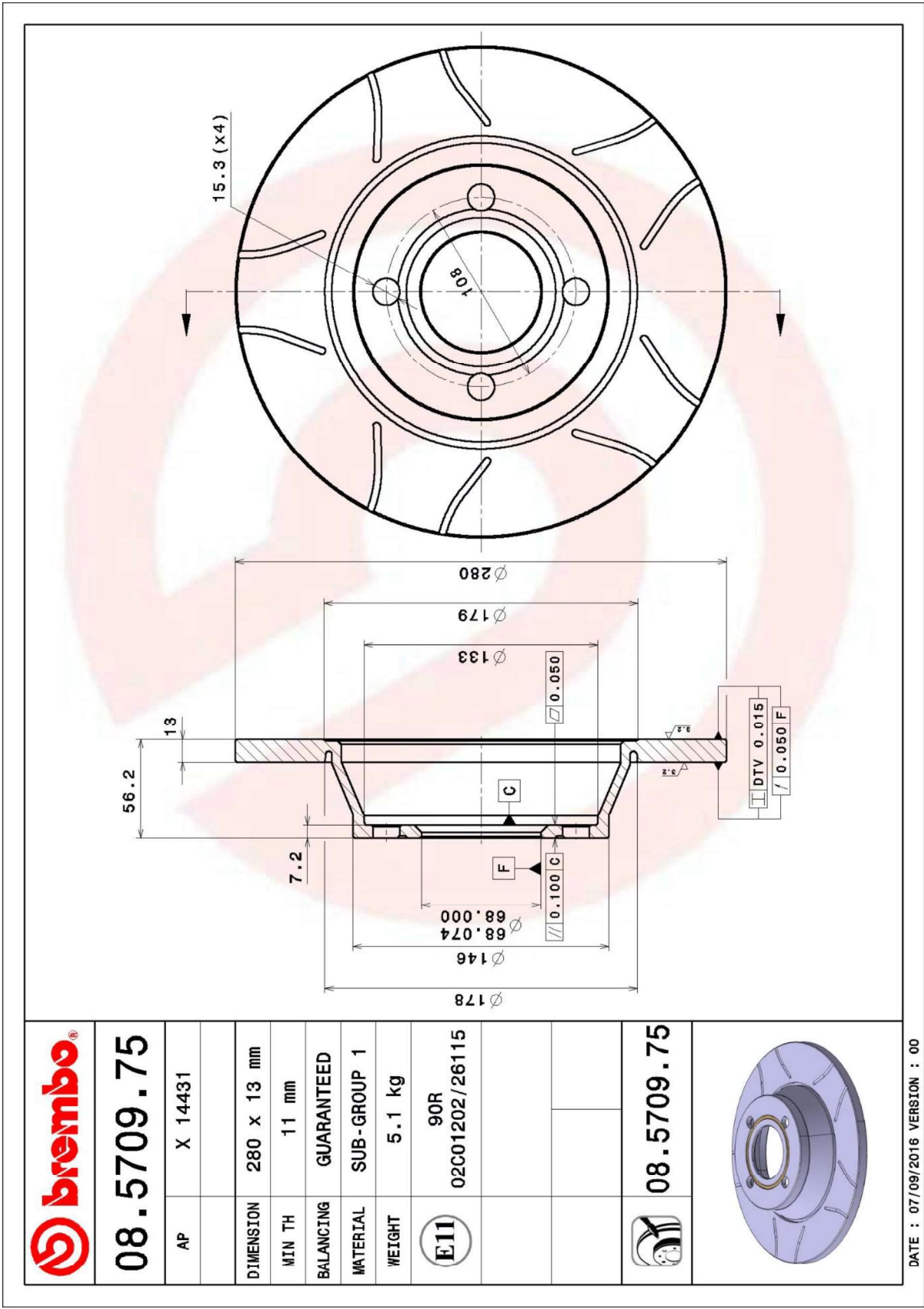
| | OE Disc/Drum | Replacement Disc/Drum |
|--|---|---|
| Location and dimensions of statutory information <ul style="list-style-type: none"> • The approval number; • Part number • An indication which provides traceability of the production process (e.g. date, batch number, source code); • The minimum thickness of the brake disc or the maximum permissible inside diameter of the brake drum. | <ul style="list-style-type: none"> • See drawings • See drawings • See annex 5 • See drawings | <ul style="list-style-type: none"> • See drawings • See drawings • See annex 5 • See drawings |
| Material | GL B 01 (Sub Group 1) | GL B 01 (Sub Group 1) |
| Weight in grams | Range from 4100 gr to 5400 gr | Range from 4100 gr to 5400 gr |
| Disc/Drum Diameter | Range from 276 mm to 282 mm | Range from 276 mm to 282 mm |
| Disc Thickness | Range from 10 mm to 14 mm | Range from 10 mm to 14 mm |
| Mounting Flange Thickness | See drawings | See drawings |
| Pitch Circle Diameter of fixing holes/studs | See drawings | See drawings |
| Number of fixing holes/studs | See drawings | See drawings |
| Mounting Flange Diameter | See drawings | See drawings |
| Type of centering (e.g. central spigot or mounting bolts /studs) | See drawings | See drawings |

| | | |
|--|--------------|--------------|
| In the case of brake discs with integrated parking brake drums the width of the friction surface area and any heat compensation groove(s) | See drawings | See drawings |
| In the case of ventilated brake discs: (i) The type of ventilation (internal/external); (ii) The number of ribs and pillars ; (iii) The dimensions of the ventilation duct. | N/A | N/A |

Component Description

| | |
|--------------------------------------|---|
| Manufacturer of the un-machined part | <p>BREMBO S.p.A. Divisione Dischi Freno Via G.Maria Scotti, 66 – 24030 Mapello (BG) – Italy</p> <p>BREMBO POLAND SP. Z O.O. Ul.Rozdzienskiego, 13 DĄBROWA GÓRNICZA, POLAND, 41-308</p> <p>Brembo North America Inc. 29991 E M60, Homer, MI 49245</p> <p>Brembo Mexico, SA de CV Platón 100, Parque Industrial Kalos, Apodaca, Nuevo León, 66600, Mexico</p> <p>Brembo (Nanjing) Brake System Co., Ltd. No.28 Xijing Road, Jiangning Economic & Technology Zone, Nanjing, P.R. China</p> |
|--------------------------------------|---|

| | | |
|--|---|-------------|
| A description of the process of manufacture of the un-machined part; | Casting Production | |
| Proof of the reliability of the process (e.g. freedom from cracks and cavities, dimensions) attach as annex 2 | COP VCA Control Plan | |
| Material Composition | Chemical composition | See Annex 3 |
| | Microstructure | See Annex 3 |
| | Mechanical properties (brinell Hardness to ISO 6506-1:2005 | See Annex 3 |
| | Tensile strength to ISO 6892:1998 | See Annex 3 |
| Corrosion or surface protection | Oil or Painting | |
| Description of balancing methods (including maximum error) | See Drawings; The balance value is 20 Nmm and Brembo check disks with a machine and if the value is bigger to 20 the machine works discs | |
| Amount of wear allowed (minimum thickness in the case of brake discs or the maximum internal diameter in the case of brake drums). | See drawings | |



08.5709.75

| | |
|----|---------|
| AP | X 14431 |
|----|---------|

| | |
|-----------|-------------|
| DIMENSION | 280 x 13 mm |
| MIN TH | 11 mm |

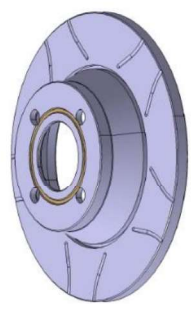
BALANCING GUARANTEED

MATERIAL SUB-GROUP 1

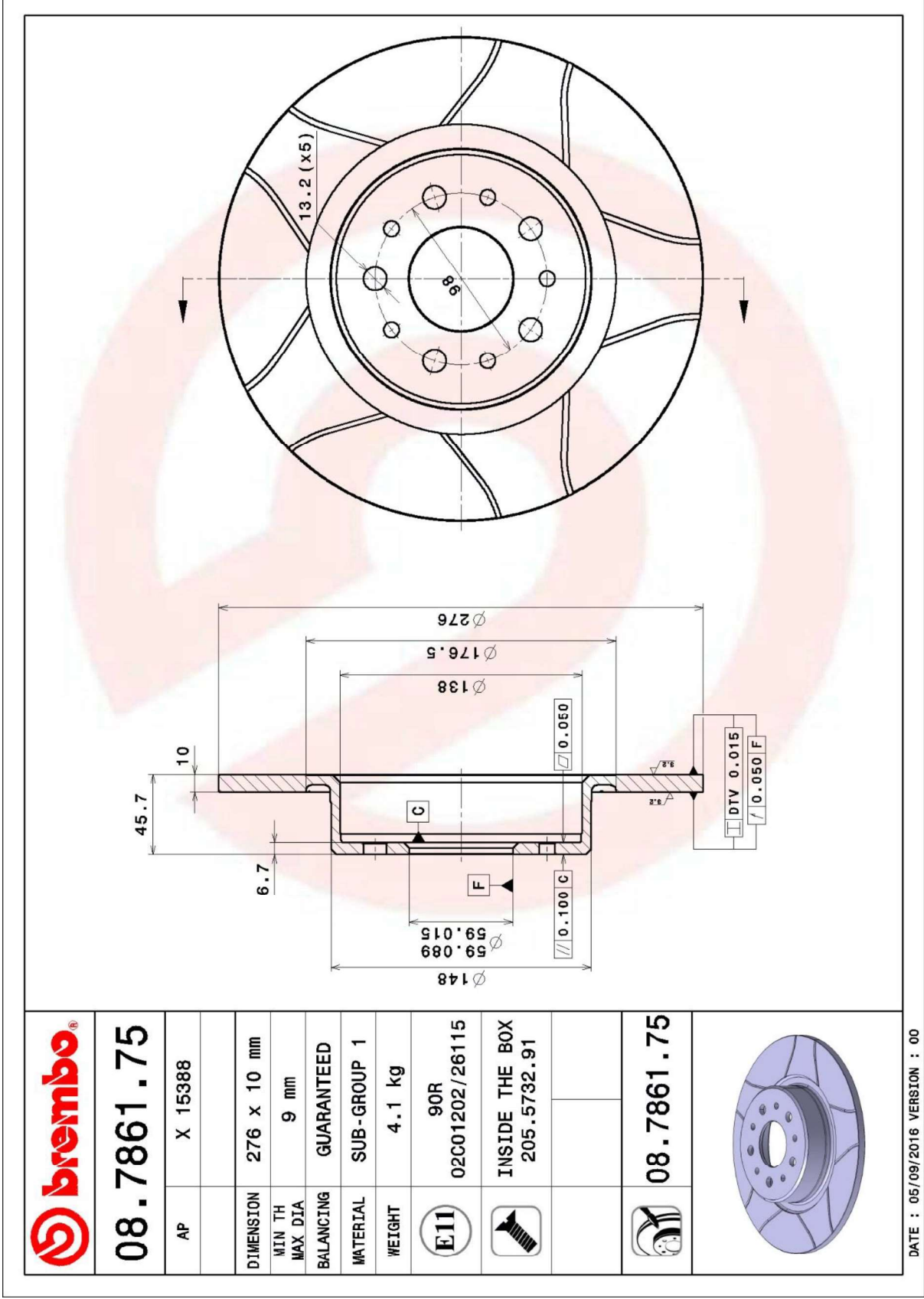
WEIGHT 5.1 kg

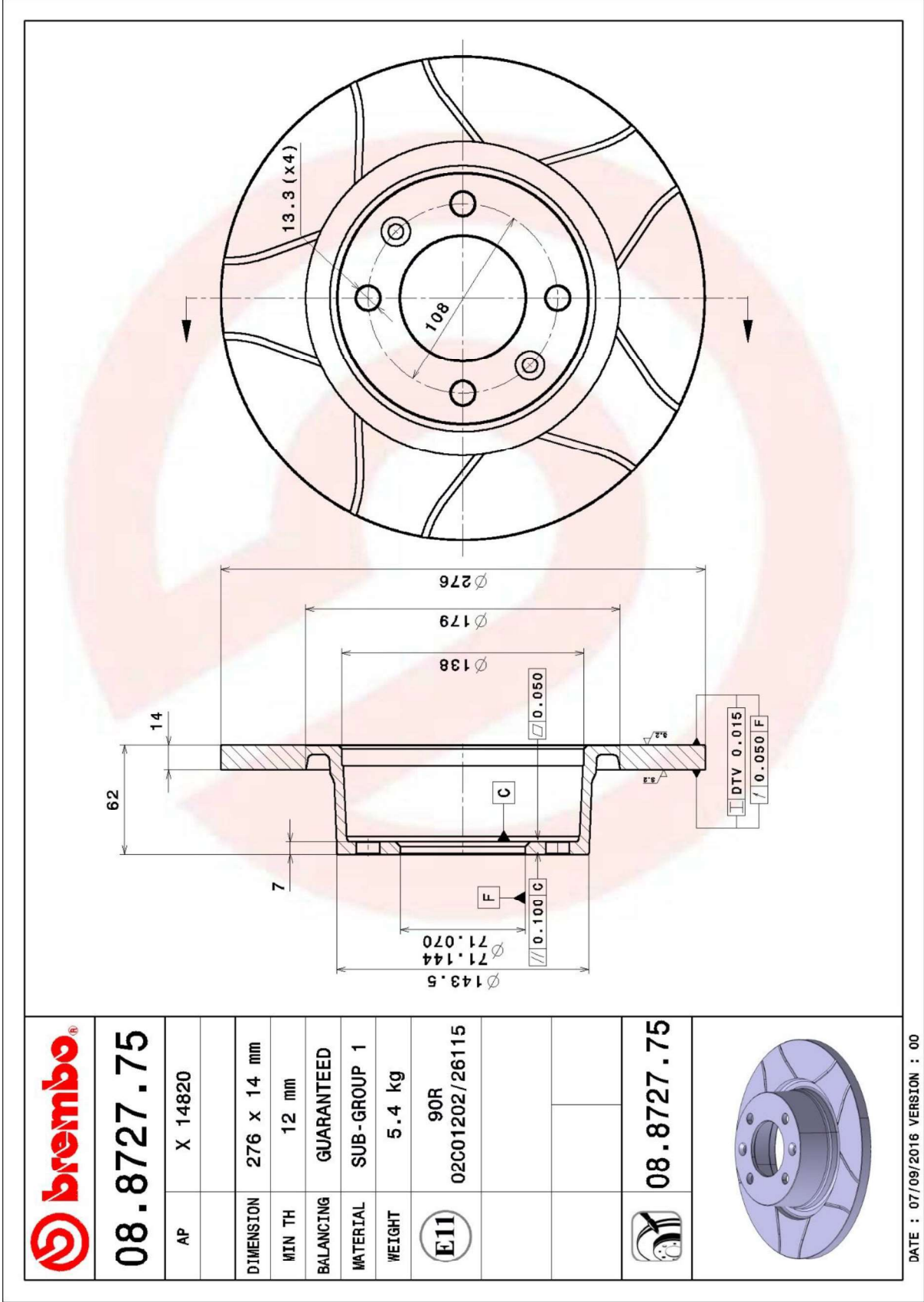
E11 90R 02C01202/26115

08.5709.75

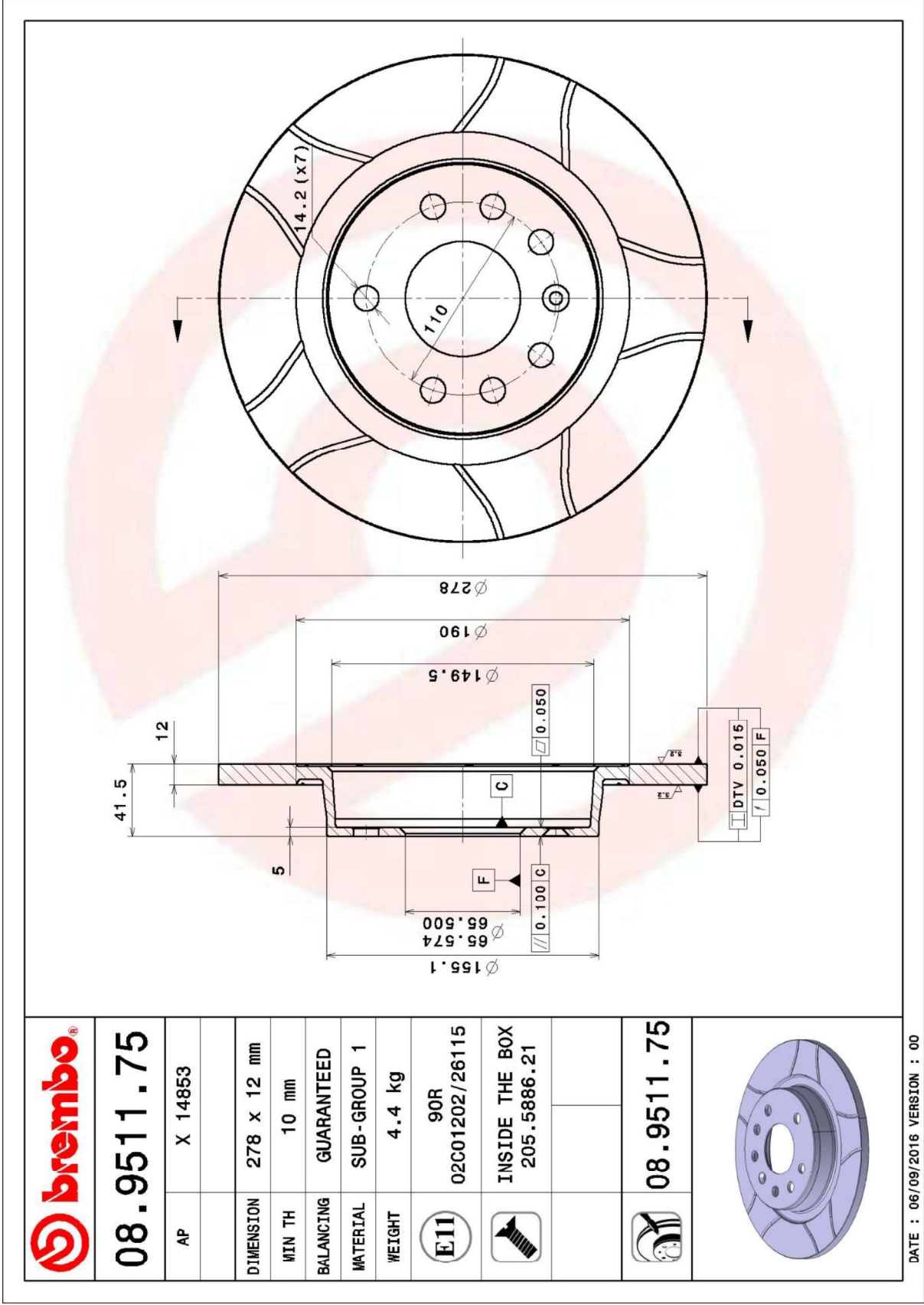


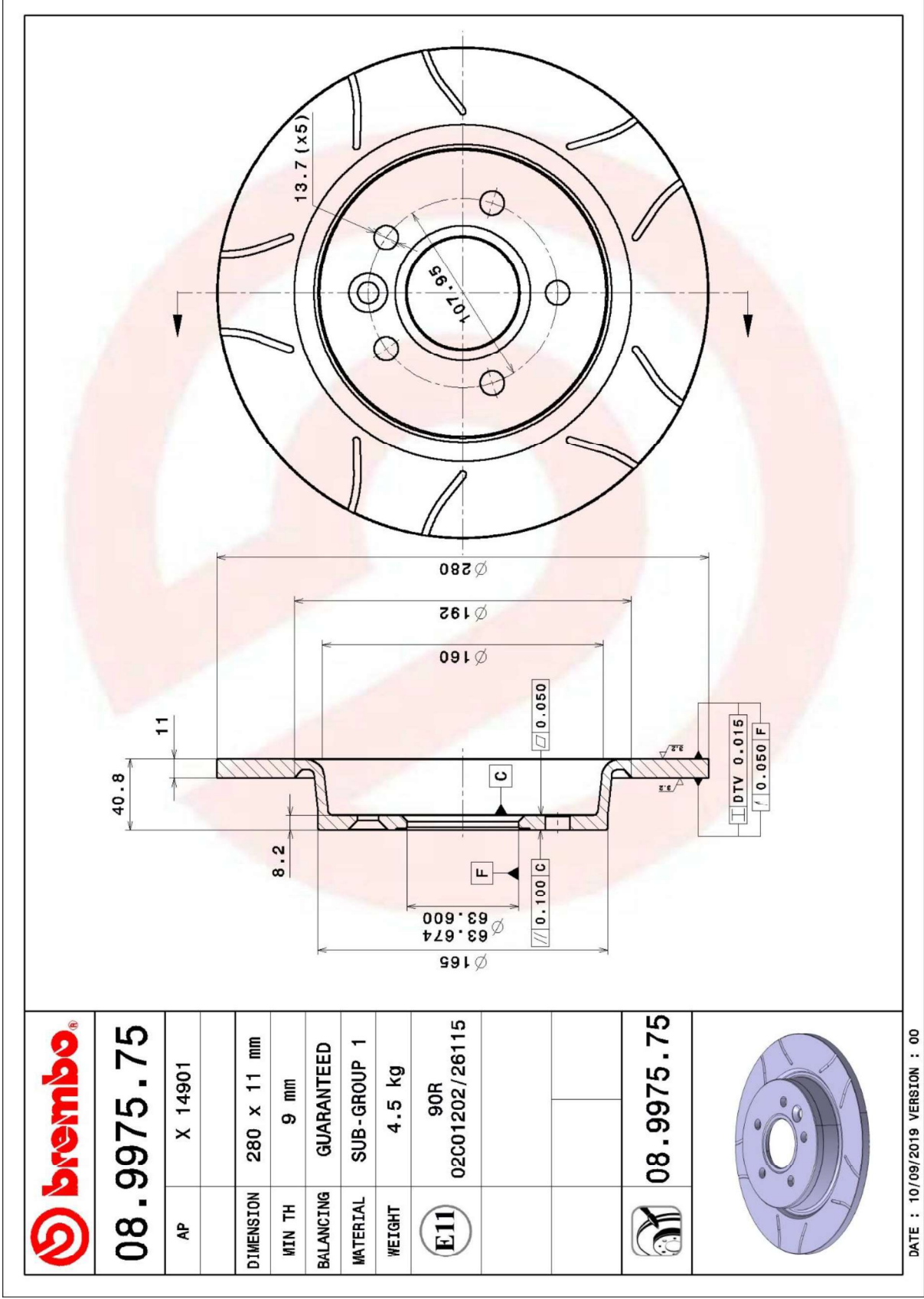
DATE : 07/09/2016 VERSION : 00





DATE : 07/09/2016 VERSION : 00





08.9975.75

| | |
|----|---------|
| AP | X 14901 |
|----|---------|

| | |
|-----------|-------------|
| DIMENSION | 280 x 11 mm |
| MIN TH | 9 mm |

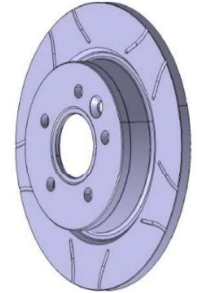
BALANCING GUARANTEED

MATERIAL SUB-GROUP 1

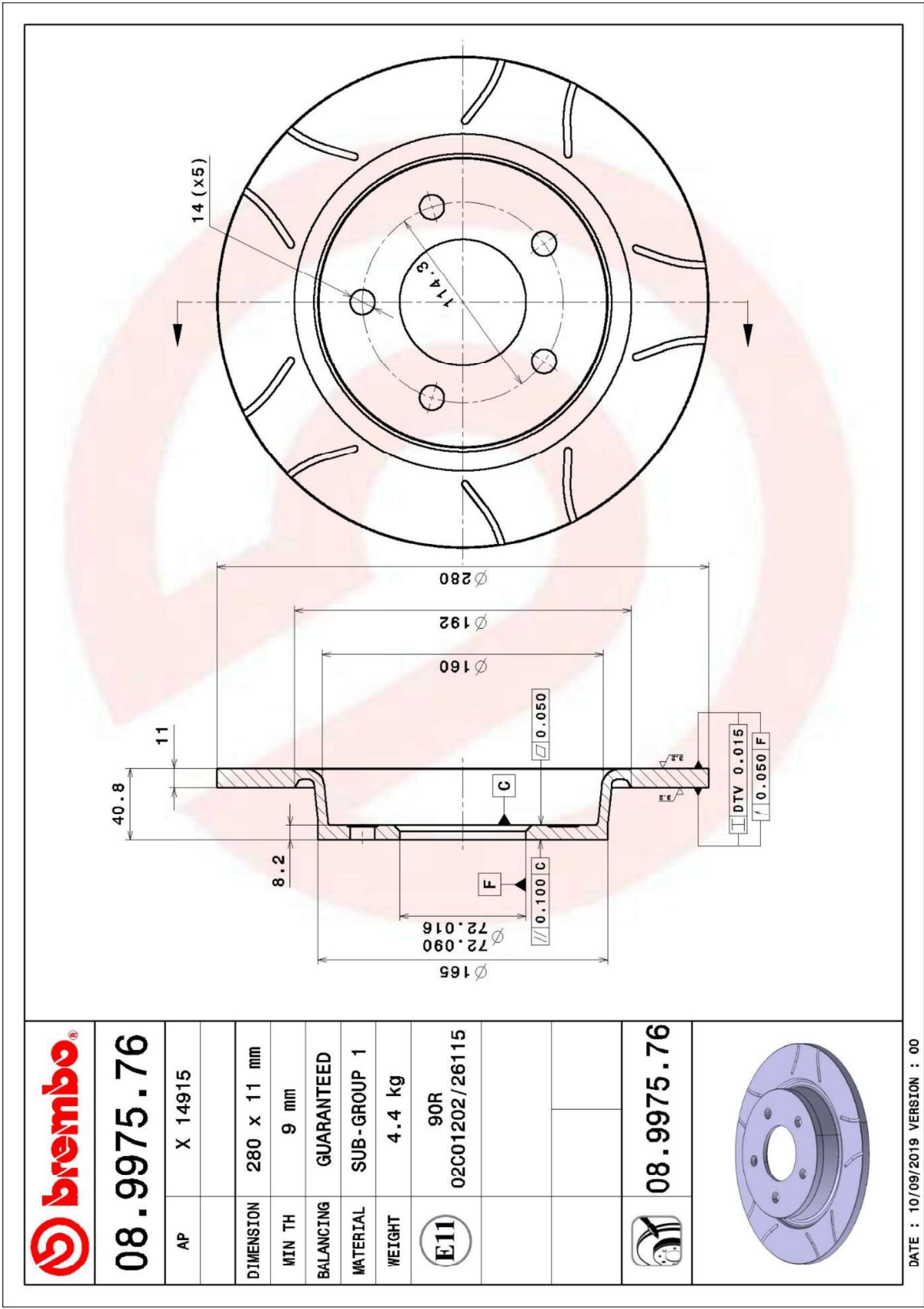
WEIGHT 4.5 kg

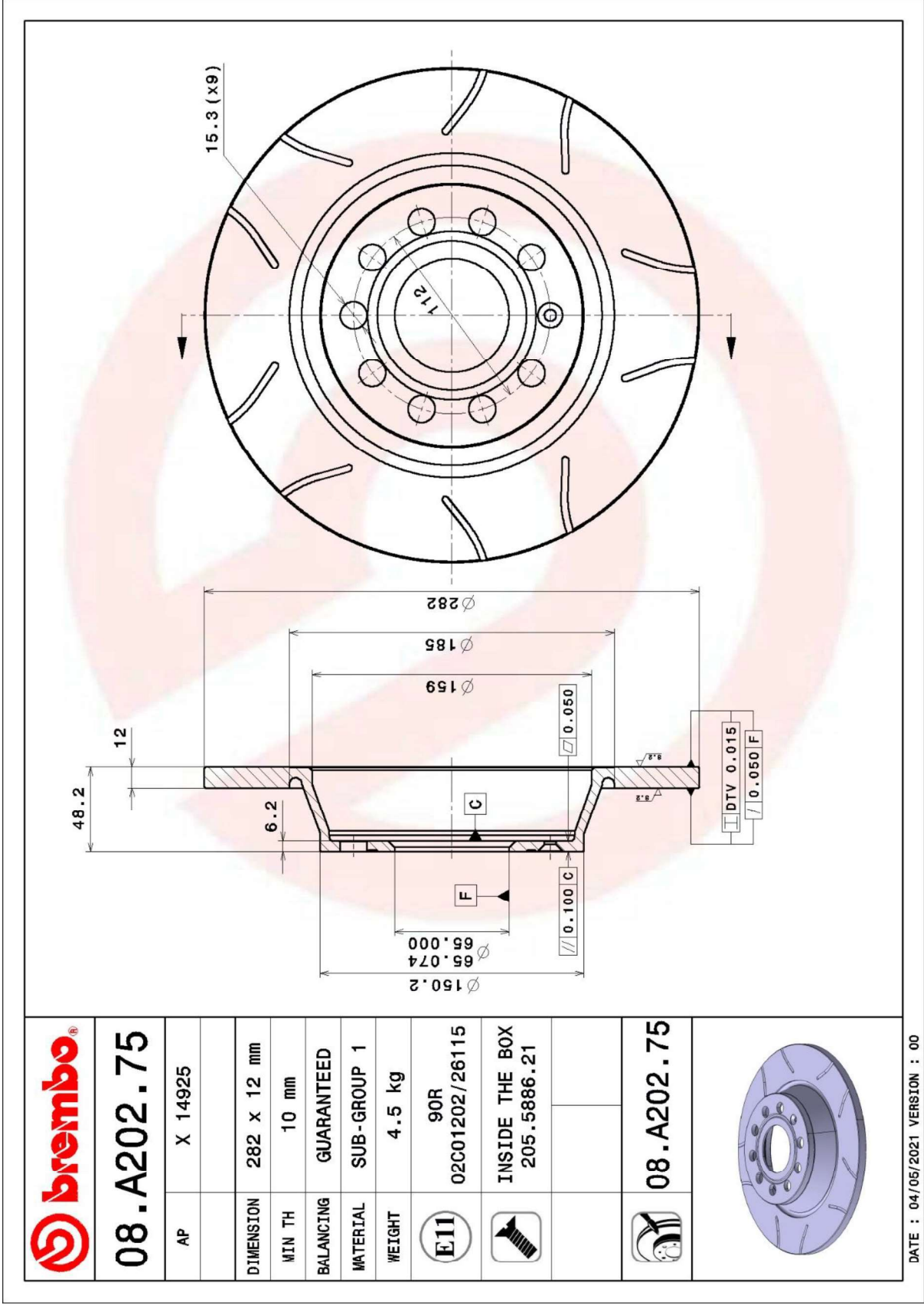
E11 90R 02C01202/26115

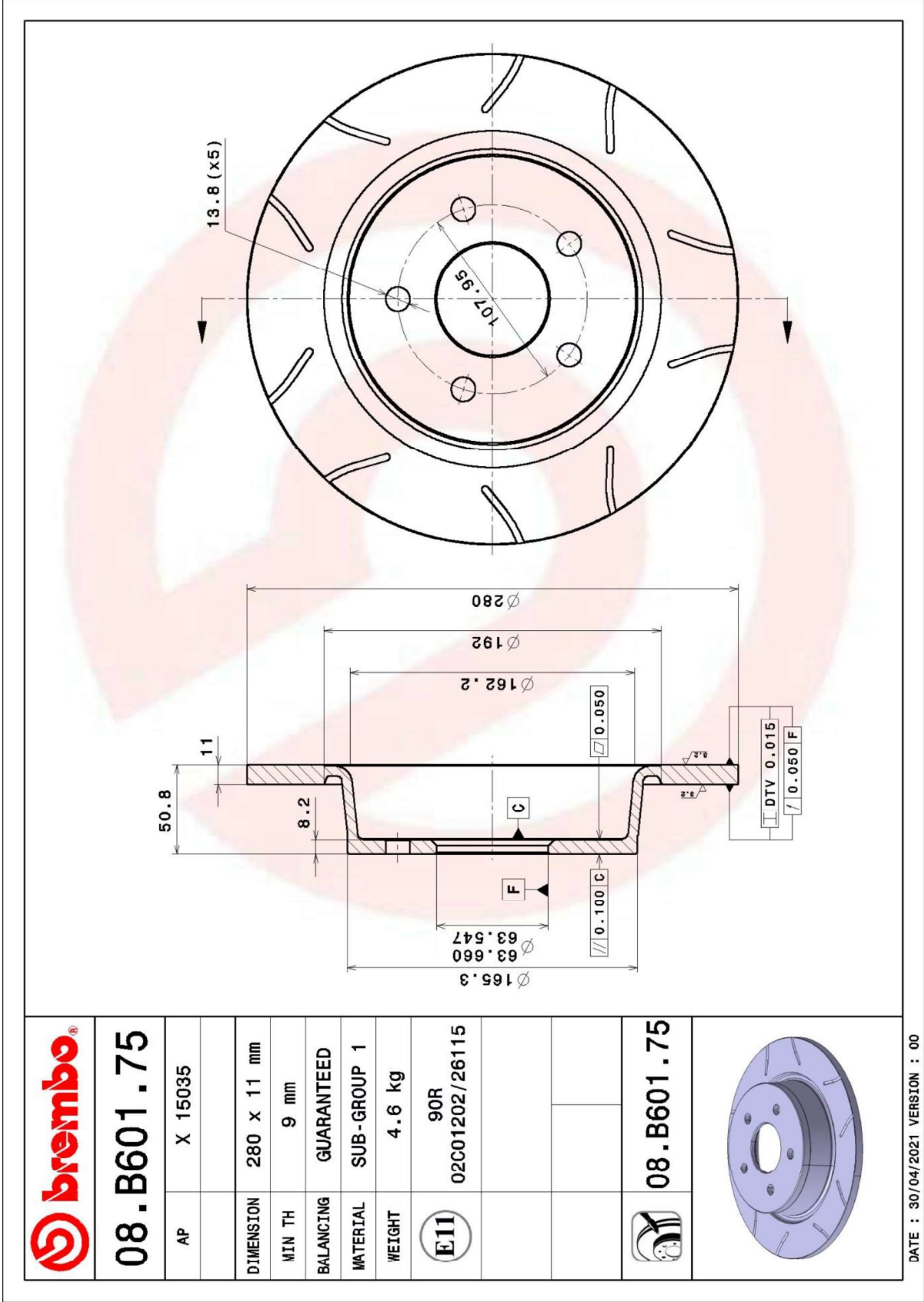
08.9975.75



DATE : 10/09/2019 VERSION : 00







| GL B 01 (Sub Group 1) | | |
|------------------------------|---|--------------------------|
| Chemical composition | % Carbon content | 3.20 ÷ 3.60 |
| | % Silicon content | 1.70 ÷ 2.30 |
| | % Manganese content | 0.40 MIN |
| | % Chromium content | 0.35 MAX |
| | % Copper content | --- |
| Microstructure | Matrix | Pearlitic; fine lamellar |
| Mechanical properties | Hardness ISO 6506-1:2005 HBW | 190 – 248 |
| | Tensile strength to ISO 6892:1998 N/mm ² | 220 MIN |

| BREMBO MAX | AP MAX | OE REFERENCE | WEIGHT DISC [kg] | APPLICATION | MODEL | YEAR FROM | YEAR TO | FRONT - REAR | VEHICLE MAX SPEED [km/h] | PAY LOAD [kg] |
|---------------|-----------|--|------------------------|-------------|----------------------|-----------|---------|--------------------|--------------------------------|------------------|
| 08.5709.75 | X 14431 | 8A0615301 8A0615301D | 5,1 | AUDI | 80 (8C, B4) | 09/91 | 12/94 | FRONT | 177 | 1730 |
| 08.5709.75 | X 14431 | 8A0615301 8A0615301D | 5,1 | AUDI | 80 Avant (8C, B4) | 09/91 | 01/96 | FRONT | 172 | 1920 |
| 08.7861.75 | X 15388 | 46469908 46542702 | 4,1 | ALFA ROMEO | 147 (937) | 11/00 | 03/10 | REAR | 246 | 1880 |
| 08.7861.75 | X 15388 | 46469908 46542702 | 4,1 | ALFA ROMEO | 156 (932) | 09/97 | 09/05 | REAR | 250 | 1910 |
| 08.7861.75 | X 15388 | 46469908 46542702 | 4,1 | ALFA ROMEO | 156 Sportwagon (932) | 01/00 | 05/06 | REAR | 250 | 2025 |
| 08.7861.75 | X 15388 | 46469908 46542702 | 4,1 | ALFA ROMEO | GT (937) | 11/03 | 09/10 | REAR | 243 | 1930 |
| 08.8727.75 | X 14820 | 4246W4 | 5,4 | CITROËN | C5 I (DC_) | 03/01 | 08/04 | REAR | 240 | 2020 |
| 08.8727.75 | X 14820 | 4246W4 | 5,4 | CITROËN | C5 I Break (DE_) | 06/01 | 08/04 | REAR | 234 | 2175 |
| 08.8727.75 | X 14820 | 4246W4 | 5,4 | CITROËN | C5 II (RC_) | 08/04 | - | REAR | 230 | 2099 |
| 08.8727.75 | X 14820 | 4246W4 | 5,4 | CITROËN | C5 II Break (RE_) | 09/04 | - | REAR | 227 | 2180 |
| 08.9511.75 | X 14853 | 12762290 569115 9156785 9156787 93171848 93188377 | 4,4 | CADILLAC | BLS | 04/06 | - | REAR | 211 | 2170 |
| 08.9511.75 | X 14853 | 12762290 569115 9156785 9156787 93171848 93188377 | 4,4 | CADILLAC | BLS Wagon | 12/07 | - | REAR | 211 | 2170 |
| 08.9511.75 | X 14853 | 12762290 569115 9156785 9156787 93171848 93188377 | 4,4 | OPEL | SIGNUM | 05/03 | - | REAR | 211 | 2170 |
| 08.9511.75 | X 14853 | 12762290 569115 9156785 9156787 93171848 93188377 | 4,4 | OPEL | VECTRA C | 04/02 | - | REAR | 218 | 2040 |

| BREMBO MAX | AP MAX | OE REFERENCE | WEIGHT DISC [kg] | APPLICATION | MODEL | YEAR FROM | YEAR TO | FRONT - REAR | VEHICLE MAX SPEED [km/h] | PAY LOAD [kg] |
|------------|---------|--------------|------------------|-------------|------------------------|-----------|---------|--------------|--------------------------|---------------|
| 08.9511.75 | X 14853 | 12762290 | 4,4 | OPEL | VECTRA C Estate | 10/03 | - | REAR | 212 | 2240 |
| | | 569115 | | | | | | | | |
| | | 9156785 | | | | | | | | |
| | | 9156787 | | | | | | | | |
| | | 93171848 | | | | | | | | |
| 93188377 | | | | | | | | | | |
| 08.9511.75 | X 14853 | 12762290 | 4,4 | OPEL | VECTRA C GTS | 08/02 | - | REAR | 218 | 2110 |
| | | 569115 | | | | | | | | |
| | | 9156785 | | | | | | | | |
| | | 9156787 | | | | | | | | |
| | | 93171848 | | | | | | | | |
| 93188377 | | | | | | | | | | |
| 08.9511.75 | X 14853 | 12762290 | 4,4 | SAAB | 9-3 (YS3F) | 09/02 | - | REAR | 240 | 2160 |
| | | 569115 | | | | | | | | |
| | | 9156785 | | | | | | | | |
| | | 9156787 | | | | | | | | |
| | | 93171848 | | | | | | | | |
| 93188377 | | | | | | | | | | |
| 08.9511.75 | X 14853 | 12762290 | 4,4 | SAAB | 9-3 Convertible (YS3F) | 08/03 | - | REAR | 235 | 2140 |
| | | 569115 | | | | | | | | |
| | | 9156785 | | | | | | | | |
| | | 9156787 | | | | | | | | |
| | | 93171848 | | | | | | | | |
| 93188377 | | | | | | | | | | |
| 08.9511.75 | X 14853 | 12762290 | 4,4 | SAAB | 9-3 Estate (YS3F) | 03/05 | - | REAR | 240 | 2220 |
| | | 569115 | | | | | | | | |
| | | 9156785 | | | | | | | | |
| | | 9156787 | | | | | | | | |
| | | 93171848 | | | | | | | | |
| 93188377 | | | | | | | | | | |
| 08.9511.75 | X 14853 | 12762290 | 4,4 | SAAB | 9-3X | 02/09 | - | REAR | 235 | 2220 |
| | | 569115 | | | | | | | | |
| | | 9156785 | | | | | | | | |
| | | 9156787 | | | | | | | | |
| | | 93171848 | | | | | | | | |
| 93188377 | | | | | | | | | | |
| 08.9511.75 | X 14853 | 12762290 | 4,4 | VAUXHALL | SIGNUM | 03/03 | 10/08 | REAR | 211 | 2170 |
| | | 569115 | | | | | | | | |
| | | 9156785 | | | | | | | | |
| | | 9156787 | | | | | | | | |
| | | 93171848 | | | | | | | | |
| 93188377 | | | | | | | | | | |

| BREMO MAX | AP MAX | OE REFERENCE | WEIGHT DISC [kg] | APPLICATION | MODEL | YEAR FROM | YEAR TO | FRONT - REAR | VEHICLE MAX SPEED [km/h] | PAY LOAD [kg] |
|-------------------------|-----------|--------------|------------------------|-------------|-------------------------|-----------|---------|--------------------|--------------------------------|------------------|
| 08.9511.75 | X 14853 | 12762290 | 4,4 | VAUXHALL | VECTRA Mk II (C) | 01/00 | 10/08 | REAR | 218 | 2040 |
| | | 569115 | | | | | | | | |
| | | 9156785 | | | | | | | | |
| | | 9156787 | | | | | | | | |
| | | 93171848 | | | | | | | | |
| 93188377 | | | | | | | | | | |
| 08.9511.75 | X 14853 | 12762290 | 4,4 | VAUXHALL | VECTRA Mk II (C) Estate | 10/03 | 07/08 | REAR | 212 | 2240 |
| | | 569115 | | | | | | | | |
| | | 9156785 | | | | | | | | |
| | | 9156787 | | | | | | | | |
| | | 93171848 | | | | | | | | |
| 93188377 | | | | | | | | | | |
| 08.9511.75 | X 14853 | 12762290 | 4,4 | VAUXHALL | VECTRA Mk II (C) GTS | 08/02 | 07/08 | REAR | 218 | 2110 |
| | | 569115 | | | | | | | | |
| | | 9156785 | | | | | | | | |
| | | 9156787 | | | | | | | | |
| | | 93171848 | | | | | | | | |
| 93188377 | | | | | | | | | | |
| 08.9511.75 | X 14853 | 12762290 | 4,4 | CHEVROLET | VECTRA | 01/05 | - | Rear | 240 | 2100 |
| | | 569115 | | | | | | | | |
| | | 9156785 | | | | | | | | |
| | | 9156787 | | | | | | | | |
| | | 93171848 | | | | | | | | |
| 93188377 | | | | | | | | | | |
| 08.9975.75 XU0.01.N0 | X 14901 | 1223566 | 4,5 | FORD | C-MAX (DM2) | 02/07 | - | REAR | 203 | 2025 |
| | | 1223568 | | | | | | | | |
| | | 1253962 | | | | | | | | |
| | | 1253963 | | | | | | | | |
| | | 1323551 | | | | | | | | |
| | | 1373361 | | | | | | | | |
| | | 1500156 | | | | | | | | |
| | | 30666802 | | | | | | | | |
| | | 30769113 | | | | | | | | |
| | | 31341645 | | | | | | | | |
| 31471039 | | | | | | | | | | |

| BREMBO MAX | AP MAX | OE REFERENCE | WEIGHT DISC [kg] | APPLICATION | MODEL | YEAR FROM | YEAR TO | FRONT - REAR | VEHICLE MAX SPEED [km/h] | PAY LOAD [kg] |
|-------------------------|---------|--------------|------------------|-------------|-----------------------|-----------|---------|--------------|--------------------------|---------------|
| 08.9975.75 XU0.01.N0 | X 14901 | 1223566 | 4,5 | FORD | FOCUS C-MAX | 10/03 | 03/07 | REAR | 203 | 1995 |
| | | 1223568 | | | | | | | | |
| | | 1253962 | | | | | | | | |
| | | 1253963 | | | | | | | | |
| | | 1323551 | | | | | | | | |
| | | 1373361 | | | | | | | | |
| | | 1500156 | | | | | | | | |
| | | 30666802 | | | | | | | | |
| | | 30769113 | | | | | | | | |
| | | 31341645 | | | | | | | | |
| 31471039 | | | | | | | | | | |
| 08.9975.75 XU0.01.N0 | X 14901 | 1223566 | 4,5 | FORD | FOCUS II (DA_) | 07/04 | 09/12 | REAR | 241 | 1950 |
| | | 1223568 | | | | | | | | |
| | | 1253962 | | | | | | | | |
| | | 1253963 | | | | | | | | |
| | | 1323551 | | | | | | | | |
| | | 1373361 | | | | | | | | |
| | | 1500156 | | | | | | | | |
| | | 30666802 | | | | | | | | |
| | | 30769113 | | | | | | | | |
| | | 31341645 | | | | | | | | |
| 31471039 | | | | | | | | | | |
| 08.9975.75 XU0.01.N0 | X 14901 | 1223566 | 4,5 | FORD | FOCUS II Convertible | 10/06 | - | REAR | 210 | 2045 |
| | | 1223568 | | | | | | | | |
| | | 1253962 | | | | | | | | |
| | | 1253963 | | | | | | | | |
| | | 1323551 | | | | | | | | |
| | | 1373361 | | | | | | | | |
| | | 1500156 | | | | | | | | |
| | | 30666802 | | | | | | | | |
| | | 30769113 | | | | | | | | |
| | | 31341645 | | | | | | | | |
| 31471039 | | | | | | | | | | |
| 08.9975.75 XU0.01.N0 | X 14901 | 1223566 | 4,5 | FORD | FOCUS II Estate (DA_) | 07/04 | 09/12 | REAR | 206 | 2000 |
| | | 1223568 | | | | | | | | |
| | | 1253962 | | | | | | | | |
| | | 1253963 | | | | | | | | |
| | | 1323551 | | | | | | | | |
| | | 1373361 | | | | | | | | |
| | | 1500156 | | | | | | | | |
| | | 30666802 | | | | | | | | |
| | | 30769113 | | | | | | | | |
| | | 31341645 | | | | | | | | |
| 31471039 | | | | | | | | | | |

| BREMBO MAX | AP MAX | OE REFERENCE | WEIGHT DISC [kg] | APPLICATION | MODEL | YEAR FROM | YEAR TO | FRONT - REAR | VEHICLE MAX SPEED [km/h] | PAY LOAD [kg] |
|-------------------------|-----------|--------------|------------------------|-------------|-----------------------|-----------|---------|--------------------|--------------------------------|------------------|
| 08.9975.75 XU0.01.N0 | X 14901 | 1223566 | 4,5 | FORD | FOCUS II Saloon (DA_) | 04/05 | - | REAR | 210 | 1950 |
| | | 1223568 | | | | | | | | |
| | | 1253962 | | | | | | | | |
| | | 1253963 | | | | | | | | |
| | | 1323551 | | | | | | | | |
| | | 1373361 | | | | | | | | |
| | | 1500156 | | | | | | | | |
| | | 30666802 | | | | | | | | |
| | | 30769113 | | | | | | | | |
| | | 31341645 | | | | | | | | |
| 31471039 | | | | | | | | | | |
| 08.9975.75 XU0.01.N0 | X 14901 | 1223566 | 4,5 | VOLVO | C30 | 10/06 | 12/12 | REAR | 240 | 1900 |
| | | 1223568 | | | | | | | | |
| | | 1253962 | | | | | | | | |
| | | 1253963 | | | | | | | | |
| | | 1323551 | | | | | | | | |
| | | 1373361 | | | | | | | | |
| | | 1500156 | | | | | | | | |
| | | 30666802 | | | | | | | | |
| | | 30769113 | | | | | | | | |
| | | 31341645 | | | | | | | | |
| 31471039 | | | | | | | | | | |
| 08.9975.75 XU0.01.N0 | X 14901 | 1223566 | 4,5 | VOLVO | C70 II Convertible | 03/06 | 06/13 | REAR | 240 | 2150 |
| | | 1223568 | | | | | | | | |
| | | 1253962 | | | | | | | | |
| | | 1253963 | | | | | | | | |
| | | 1323551 | | | | | | | | |
| | | 1373361 | | | | | | | | |
| | | 1500156 | | | | | | | | |
| | | 30666802 | | | | | | | | |
| | | 30769113 | | | | | | | | |
| | | 31341645 | | | | | | | | |
| 31471039 | | | | | | | | | | |
| 08.9975.75 XU0.01.N0 | X 14901 | 1223566 | 4,5 | VOLVO | S40 II (MS) | 01/04 | - | REAR | 240 | 2020 |
| | | 1223568 | | | | | | | | |
| | | 1253962 | | | | | | | | |
| | | 1253963 | | | | | | | | |
| | | 1323551 | | | | | | | | |
| | | 1373361 | | | | | | | | |
| | | 1500156 | | | | | | | | |
| | | 30666802 | | | | | | | | |
| | | 30769113 | | | | | | | | |
| | | 31341645 | | | | | | | | |
| 31471039 | | | | | | | | | | |

| BREMBO MAX | AP MAX | OE REFERENCE | WEIGHT DISC [kg] | APPLICATION | MODEL | YEAR FROM | YEAR TO | FRONT - REAR | VEHICLE MAX SPEED [km/h] | PAY LOAD [kg] |
|-------------------------|-----------|--------------|------------------------|-----------------|---------------|-----------|---------|--------------------|--------------------------------|------------------|
| 08.9975.75 XU0.01.N0 | X 14901 | 1223566 | 4,5 | VOLVO | V40 Hatchback | 03/12 | - | REAR | 210 | 2040 |
| | | 1223568 | | | | | | | | |
| | | 1253962 | | | | | | | | |
| | | 1253963 | | | | | | | | |
| | | 1323551 | | | | | | | | |
| | | 1373361 | | | | | | | | |
| | | 1500156 | | | | | | | | |
| | | 30666802 | | | | | | | | |
| | | 30769113 | | | | | | | | |
| | | 31341645 | | | | | | | | |
| 31471039 | | | | | | | | | | |
| 08.9975.75 XU0.01.N0 | X 14901 | 1223566 | 4,5 | VOLVO | V50 (MW) | 04/04 | - | REAR | 240 | 2050 |
| | | 1223568 | | | | | | | | |
| | | 1253962 | | | | | | | | |
| | | 1253963 | | | | | | | | |
| | | 1323551 | | | | | | | | |
| | | 1373361 | | | | | | | | |
| | | 1500156 | | | | | | | | |
| | | 30666802 | | | | | | | | |
| | | 30769113 | | | | | | | | |
| | | 31341645 | | | | | | | | |
| 31471039 | | | | | | | | | | |
| 08.9975.75 XU0.01.N0 | X 14901 | 1223566 | 4,5 | VOLVO (CHANGAN) | S40 (MS) | 06/06 | - | Rear | 245 | 2020 |
| | | 1223568 | | | | | | | | |
| | | 1253962 | | | | | | | | |
| | | 1253963 | | | | | | | | |
| | | 1323551 | | | | | | | | |
| | | 1373361 | | | | | | | | |
| | | 1500156 | | | | | | | | |
| | | 30666802 | | | | | | | | |
| | | 30769113 | | | | | | | | |
| | | 31341645 | | | | | | | | |
| 31471039 | | | | | | | | | | |
| 08.9975.76 XU0.01.N1 | X 14915 | BP6Y26251B | 4,4 | MAZDA | 3 (BK) | 10/03 | 12/09 | REAR | 250 | 1945 |
| | | BP6Y26251C | | | | | | | | |
| | | BP6Y26251D | | | | | | | | |
| | | BP6Y26251E | | | | | | | | |
| | | C25Y26251A | | | | | | | | |
| | | C25Y26251B | | | | | | | | |
| C25Y26251C | | | | | | | | | | |
| 08.9975.76 XU0.01.N1 | X 14915 | BP6Y26251B | 4,4 | MAZDA | 3 (BL) | 12/08 | - | REAR | 250 | 1965 |
| | | BP6Y26251C | | | | | | | | |
| | | BP6Y26251D | | | | | | | | |
| | | BP6Y26251E | | | | | | | | |
| | | C25Y26251A | | | | | | | | |
| | | C25Y26251B | | | | | | | | |
| C25Y26251C | | | | | | | | | | |

| BREMBO MAX | AP MAX | OE REFERENCE | WEIGHT DISC [kg] | APPLICATION | MODEL | YEAR FROM | YEAR TO | FRONT - REAR | VEHICLE MAX SPEED [km/h] | PAY LOAD [kg] |
|-------------------------|-----------|--|------------------------|-------------|---------------|-----------|---------|--------------------|--------------------------------|------------------|
| 08.9975.76 XU0.01.N1 | X 14915 | BP6Y26251B BP6Y26251C BP6Y26251D BP6Y26251E C25Y26251A C25Y26251B C25Y26251C | 4,4 | MAZDA | 3 Saloon (BK) | 09/99 | 06/09 | REAR | 209 | 1925 |
| 08.9975.76 XU0.01.N1 | X 14915 | BP6Y26251B BP6Y26251C BP6Y26251D BP6Y26251E C25Y26251A C25Y26251B C25Y26251C | 4,4 | MAZDA | 3 Saloon (BL) | 12/08 | - | REAR | 215 | 1955 |
| 08.9975.76 XU0.01.N1 | X 14915 | BP6Y26251B BP6Y26251C BP6Y26251D BP6Y26251E C25Y26251A C25Y26251B C25Y26251C | 4,4 | MAZDA | 5 (CR19) | 02/05 | - | REAR | 197 | 2250 |
| 08.9975.76 XU0.01.N1 | X 14915 | BP6Y26251B BP6Y26251C BP6Y26251D BP6Y26251E C25Y26251A C25Y26251B C25Y26251C | 4,4 | MAZDA | 5 (CW) | 09/10 | - | REAR | 194 | 2125 |
| 08.9975.76 XU0.01.N1 | X 14915 | BP6Y26251B BP6Y26251C BP6Y26251D BP6Y26251E C25Y26251A C25Y26251B C25Y26251C | 4,4 | MAZDA | PREMACY (CP) | 07/99 | 03/05 | REAR | 188 | 1980 |
| 08.A202.75 | X 14925 | 1K0615601AD 1K0615601M 5Q0 615 601 G | 4,6 | SKODA | SUPERB (3T4) | 03/08 | 05/15 | REAR | 240 | 2213 |
| 08.A202.75 | X 14925 | 1K0615601AD 1K0615601M 5Q0 615 601 G | 4,6 | VW | PASSAT (362) | 08/10 | 12/14 | REAR | 240 | 2210 |

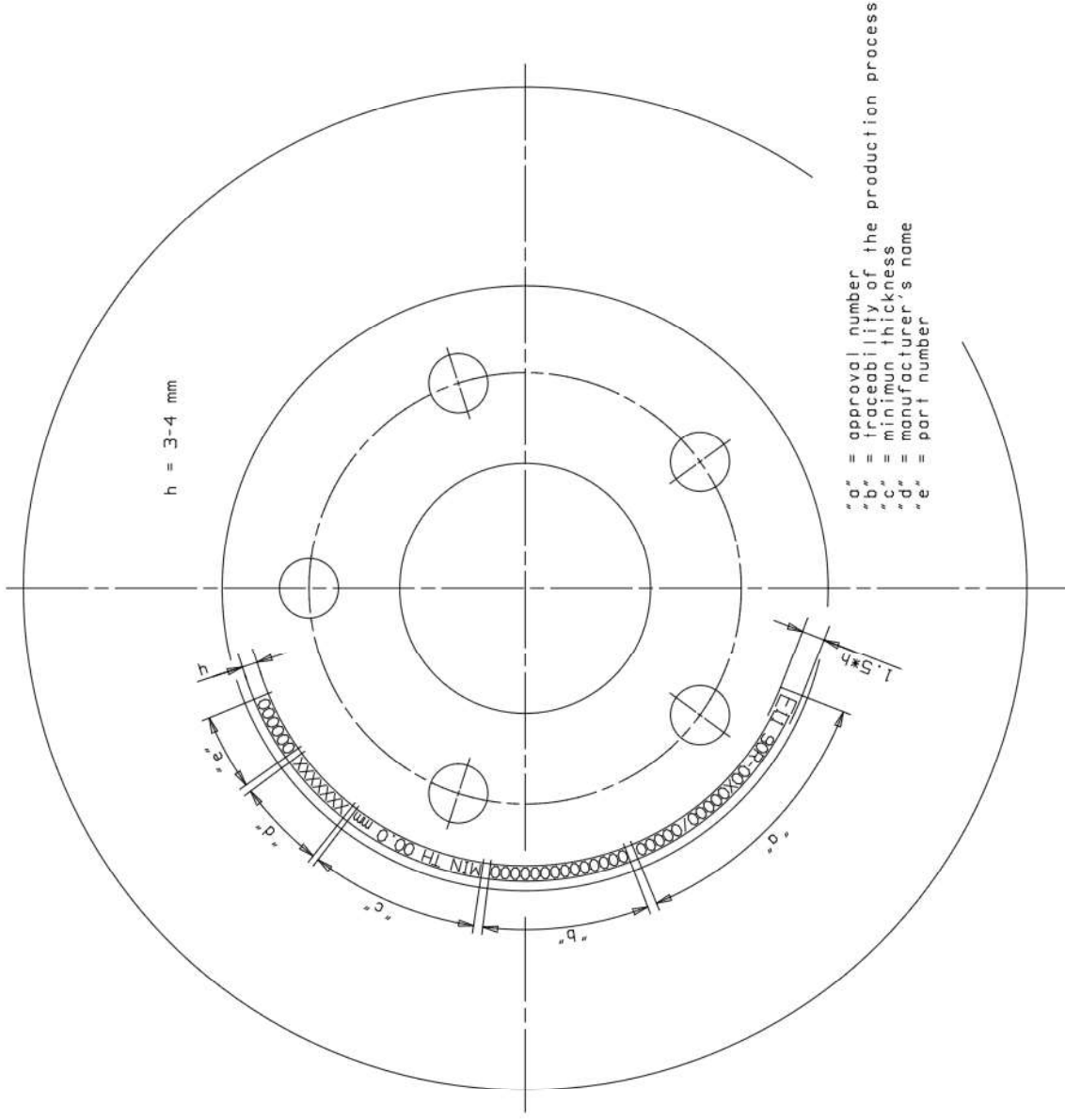
| BREMBO MAX | AP MAX | OE REFERENCE | WEIGHT DISC [kg] | APPLICATION | MODEL | YEAR FROM | YEAR TO | FRONT - REAR | VEHICLE MAX SPEED [km/h] | PAY LOAD [kg] |
|------------|---------|--|------------------|-------------|-----------------------|-----------|---------|--------------|--------------------------|---------------|
| 08-A202.75 | X 14925 | 1K0615601AD 1K0615601M 5Q0 615 601 G | 4,6 | SKODA | SUPERB Estate (3T5) | 10/09 | 05/15 | REAR | 240 | 2210 |
| 08-A202.75 | X 14925 | 1K0615601AD 1K0615601M 5Q0 615 601 G | 4,6 | VW | PASSAT ALLTRACK (365) | 01/12 | 12/14 | REAR | 235 | 2300 |
| 08-A202.75 | X 14925 | 1K0615601AD 1K0615601M 5Q0 615 601 G | 4,6 | VW | PASSAT Variant (365) | 08/10 | 12/14 | REAR | 235 | 2300 |
| 08-A202.75 | X 14925 | 1K0615601AD 1K0615601M 5Q0 615 601 G | 4,6 | VW | CC (358) | 11/11 | - | REAR | 240 | 2200 |
| 08-A202.75 | X 14925 | 1K0615601AD 1K0615601M 5Q0 615 601 G | 4,6 | VW | PASSAT CC (357) | 05/08 | 01/12 | REAR | 240 | 2200 |
| 08-A202.75 | X 14925 | 1K0615601AD 1K0615601M 5Q0 615 601 G | 4,6 | VW | PASSAT (3C2) | 03/05 | 11/10 | REAR | 237 | 2200 |
| 08-A202.75 | X 14925 | 1K0615601AD 1K0615601M 5Q0 615 601 G | 4,6 | VW | GOLF VI (5K1) | 10/08 | 11/13 | REAR | 247 | 2020 |
| 08-A202.75 | X 14925 | 1K0615601AD 1K0615601M 5Q0 615 601 G | 4,6 | SEAT | ALHAMBRA (710, 711) | 06/10 | - | REAR | 218 | 2580 |
| 08-A202.75 | X 14925 | 1K0615601AD 1K0615601M 5Q0 615 601 G | 4,6 | VW | SHARAN (7N1, 7N2) | 05/10 | - | REAR | 218 | 2580 |
| 08-A202.75 | X 14925 | 1K0615601AD 1K0615601M 5Q0 615 601 G | 4,6 | SKODA | OCTAVIA Combi (1Z5) | 02/04 | 06/13 | REAR | 242 | 2090 |

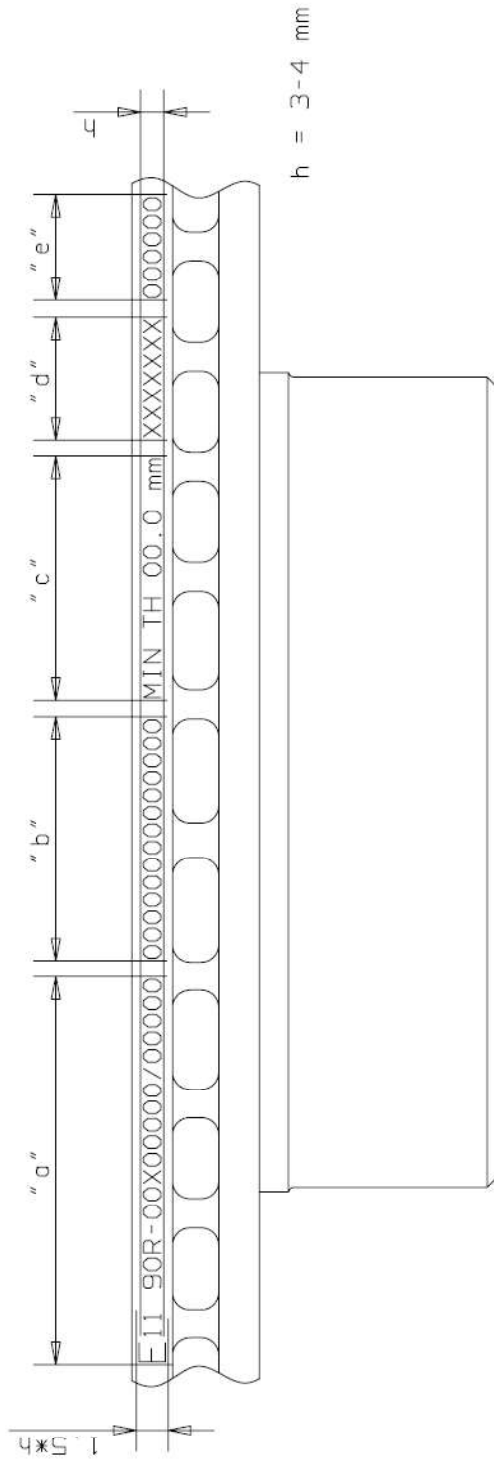
| BREMBO MAX | AP MAX | OE REFERENCE | WEIGHT DISC [kg] | APPLICATION | MODEL | YEAR FROM | YEAR TO | FRONT - REAR | VEHICLE MAX SPEED [km/h] | PAY LOAD [kg] |
|------------|---------|--|------------------|-------------|----------------------|-----------|---------|--------------|--------------------------|---------------|
| 08.A202.75 | X 14925 | 1K0615601AD 1K0615601M 5Q0 615 601 G | 4,6 | VW | PASSAT Variant (3C5) | 08/05 | 10/11 | REAR | 232 | 2270 |
| 08.A202.75 | X 14925 | 1K0615601AD 1K0615601M 5Q0 615 601 G | 4,6 | AUDI | Q3 (8U) | 06/11 | - | REAR | 233 | 2245 |
| 08.A202.75 | X 14925 | 1K0615601AD 1K0615601M 5Q0 615 601 G | 4,6 | SEAT | LEON (1P1) | 05/05 | 12/12 | REAR | 250 | 1945 |
| 08.A202.75 | X 14925 | 1K0615601AD 1K0615601M 5Q0 615 601 G | 4,6 | VW | GOLF V (1K1) | 10/03 | 02/09 | REAR | 245 | 2020 |
| 08.A202.75 | X 14925 | 1K0615601AD 1K0615601M 5Q0 615 601 G | 4,6 | SKODA | OCTAVIA (1Z3) | 02/04 | 06/13 | REAR | 242 | 2065 |
| 08.A202.75 | X 14925 | 1K0615601AD 1K0615601M 5Q0 615 601 G | 4,6 | VW | EOS (1F7, 1F8) | 03/06 | - | REAR | 240 | 2060 |
| 08.A202.75 | X 14925 | 1K0615601AD 1K0615601M 5Q0 615 601 G | 4,6 | AUDI | A3 (8P1) | 05/03 | 08/12 | REAR | 238 | 2050 |
| 08.A202.75 | X 14925 | 1K0615601AD 1K0615601M 5Q0 615 601 G | 4,6 | AUDI | A3 Sportback (8PA) | 09/04 | 03/13 | REAR | 238 | 2050 |
| 08.A202.75 | X 14925 | 1K0615601AD 1K0615601M 5Q0 615 601 G | 4,6 | VW | JETTA III (1K2) | 08/05 | 10/10 | REAR | 237 | 2030 |
| 08.A202.75 | X 14925 | 1K0615601AD 1K0615601M 5Q0 615 601 G | 4,6 | VW | GOLF V Variant (1K5) | 06/07 | 07/09 | REAR | 233 | 2100 |

| BREMBO MAX | AP MAX | OE REFERENCE | WEIGHT DISC [kg] | APPLICATION | MODEL | YEAR FROM | YEAR TO | FRONT - REAR | VEHICLE MAX SPEED [km/h] | PAY LOAD [kg] |
|------------|---------|--|------------------|-------------|-----------------------------|-----------|---------|--------------|--------------------------|---------------|
| 08.A202.75 | X 14925 | 1K0615601AD 1K0615601M 5Q0 615 601 G | 4,6 | AUDI | A3 Convertible (8P7) | 04/08 | 05/13 | REAR | 236 | 1995 |
| 08.A202.75 | X 14925 | 1K0615601AD 1K0615601M 5Q0 615 601 G | 4,6 | SEAT | ALTEA XL (5P5, 5P8) | 10/06 | - | REAR | 220 | 2206 |
| 08.A202.75 | X 14925 | 1K0615601AD 1K0615601M 5Q0 615 601 G | 4,6 | SEAT | ALTEA (5P1) | 03/04 | - | REAR | 220 | 2191 |
| 08.A202.75 | X 14925 | 1K0615601AD 1K0615601M 5Q0 615 601 G | 4,6 | VW | TOURAN (1T1, 1T2) | 02/03 | 05/10 | REAR | 214 | 2300 |
| 08.A202.75 | X 14925 | 1K0615601AD 1K0615601M 5Q0 615 601 G | 4,6 | VW | TIGUAN (5N_) | 09/07 | - | REAR | 214 | 2290 |
| 08.A202.75 | X 14925 | 1K0615601AD 1K0615601M 5Q0 615 601 G | 4,6 | VW | GOLF VI Variant (A15) | 07/09 | 07/13 | REAR | 220 | 2100 |
| 08.A202.75 | X 14925 | 1K0615601AD 1K0615601M 5Q0 615 601 G | 4,6 | SEAT | TOLEDO III (5P2) | 04/04 | 05/09 | REAR | 220 | 2092 |
| 08.A202.75 | X 14925 | 1K0615601AD 1K0615601M 5Q0 615 601 G | 4,6 | VW | GOLF PLUS (5M1, 521) | 01/05 | 12/13 | REAR | 216 | 2070 |
| 08.A202.75 | X 14925 | 1K0615601AD 1K0615601M 5Q0 615 601 G | 4,6 | SKODA | YETI (5L) | 05/09 | - | REAR | 201 | 2165 |
| 08.B601.75 | X 15035 | 1683383 1683384 AV612A315AA AV612A315BA CV6Z2C026C | 4,7 | FORD | C-MAX II (DXA/CB7, DXA/CEU) | 12/10 | - | REAR | 217 | 2300 |

| BREMBO MAX | AP MAX | OE REFERENCE | WEIGHT DISC [kg] | APPLICATION | MODEL | YEAR FROM | YEAR TO | FRONT - REAR | VEHICLE MAX SPEED [km/h] | PAY LOAD [kg] |
|------------|---------|--|------------------|----------------|--|-----------|---------|--------------|--------------------------|---------------|
| 08.B601.75 | X 15035 | 1683383 1683384 AV612A315AA AV612A315BA CV6Z2C026C | 4,7 | FORD | C-MAX II Van | 12/10 | - | REAR | 217 | 2300 |
| 08.B601.75 | X 15035 | 1683383 1683384 AV612A315AA AV612A315BA CV6Z2C026C | 4,7 | FORD | GRAND C-MAX (DXA/CB7, DXA/CEU) | 12/10 | - | REAR | 217 | 2300 |
| 08.B601.75 | X 15035 | 1683383 1683384 AV612A315AA AV612A315BA CV6Z2C026C | 4,7 | FORD | GRAND C-MAX Van | 12/10 | - | REAR | 217 | 2300 |
| 08.B601.75 | X 15035 | 1683383 1683384 AV612A315AA AV612A315BA CV6Z2C026C | 4,7 | FORD | KUGA II (DM2) | 05/12 | - | REAR | 198 | 2250 |
| 08.B601.75 | X 15035 | 1683383 1683384 AV612A315AA AV612A315BA CV6Z2C026C | 4,7 | FORD | KUGA II Van | 05/12 | - | REAR | 198 | 2250 |
| 08.B601.75 | X 15035 | 1683383 1683384 AV612A315AA AV612A315BA CV6Z2C026C | 4,7 | FORD (CHANGAN) | KUGA | 01/13 | - | Rear | 202 | 2050 |
| 08.B601.75 | X 15035 | 1683383 1683384 AV612A315AA AV612A315BA CV6Z2C026C | 4,7 | FORD | TOURNEO CONNECT / GRAND TOURNEO CONNECT Kombi | 09/13 | - | REAR | 190 | 2300 |
| 08.B601.75 | X 15035 | 1683383 1683384 AV612A315AA AV612A315BA CV6Z2C026C | 4,7 | FORD | TRANSIT CONNECT Box | 02/13 | - | REAR | 190 | 2300 |
| 08.B601.75 | X 15035 | 1683383 1683384 AV612A315AA AV612A315BA CV6Z2C026C | 4,7 | FORD | TRANSIT CONNECT Kombi | 02/13 | - | REAR | 190 | 2300 |

| BREMO MAX | AP MAX | OE REFERENCE | WEIGHT DISC [kg] | APPLICATION | MODEL | YEAR FROM | YEAR TO | FRONT - REAR | VEHICLE MAX SPEED [km/h] | PAY LOAD [kg] |
|--------------|-----------|--|------------------------|-------------|------------------------|-----------|---------|--------------------|--------------------------------|------------------|
| 08.B601.75 | X 15035 | 1683383 1683384 AV612A315AA AV612A315BA CV6Z2C026C | 4,7 | FORD | TRANSIT CONNECT Estate | 02/13 | - | Rear | 170 | 2340 |





- "a" = approval number
- "b" = traceability of the production process
- "c" = minimum thickness
- "d" = manufacturer's name
- "e" = part number